

# GENIE<sup>®</sup> EXCELERATOR<sup>®</sup>



## TABLE OF CONTENTS

Safety Information ..... 2

Important Installation Instructions ..... 2

Safety Features ..... 2

Pre-installation Checklist ..... 3

Garage Door Opener Assembly ..... 9

Record Data (for Service) ..... 11

Garage Door Opener Installation ..... 12

Accessories ..... 22

Maintenance ..... 25

Troubleshooting ..... 26

Wiring Diagram ..... 29

Warranty information ..... 30

## COMPLETE WITH INTELICODE<sup>®</sup> REMOTE CONTROL AND SERIES II ELECTRONICS

**For 7' 6" Doors. Extension Kit is available for 8' Doors**

**Included Wall Control MUST be installed prior to Operation of this Garage Door Operator.**

**Safe-T-Beam<sup>®</sup> Safety Reverse System Must be Installed and the Force Controls MUST be Properly Set to close door.**

**This Equipment meets or exceeds all Federal, State and UL 325 Safety Requirements.**

**Will not operate twice as fast on a one-piece door.**

### Having Difficulty? Need Help?

Please call us: 1-800-35-GENIE (354-3643)  
[www.geniecompany.com](http://www.geniecompany.com)




Please have Model information ready when calling.

SAVE THIS MANUAL FOR  
FUTURE REFERENCE

# SAFETY INFORMATION

Garage Doors are heavy objects that move with the help of springs under high tension and electric opening equipment. Since moving objects, springs under tension, and electric opening equipment may cause injuries, your safety and the safety of others depend on you reading and understanding the information in this manual.

If you have garage door related questions or do not understand the information presented, call your nearest Genie Factory Authorized Dealer listed at [www.geniecompany.com](http://www.geniecompany.com), or customer Service at **1-800-35-GENIE**.

POTENTIAL HAZARD	EFFECT	PREVENTION
 <p><b>MOVING DOOR</b></p>	<p><b>WARNING:</b> Can Cause Serious Injury or Death</p>	<ul style="list-style-type: none"> <li>• Keep people clear of opening while door is moving.</li> <li>• Do Not allow children to play with the door operator.</li> <li>• Do Not operate a door that jams or one that has a broken spring.</li> </ul>
 <p><b>ELECTRICAL SHOCK</b></p>	<p><b>WARNING:</b> Can Cause Serious Injury or Death</p>	<ul style="list-style-type: none"> <li>• Turn off power before removing operator cover.</li> <li>• When replacing cover, make sure wires are not pinched or near moving parts.</li> <li>• Operator must be properly grounded.</li> </ul>
 <p><b>HIGH SPRING TENSION</b></p>	<p><b>WARNING:</b> Can Cause Serious Injury or Death</p>	<ul style="list-style-type: none"> <li>• Do Not try to remove, repair or adjust springs or anything to which door spring parts are fastened, such as, wood blocks, steel brackets, cables or other like items.</li> <li>• Repairs and adjustments must be made by a trained service person using proper tools and instructions.</li> </ul>

## IMPORTANT INSTALLATION INSTRUCTIONS

### **⚠ WARNING:**

**TO REDUCE THE RISK OF SEVERE INJURY OR DEATH:**

- 1 READ AND FOLLOW ALL SAFETY, INSTALLATION AND OPERATION INSTRUCTIONS. If you have any questions or do not understand an instruction, call your service representative.
- 2 Do Not install operator on an improperly balanced door. An improperly balanced door could cause severe injury. Repairs and adjustments to cables, spring assembly, and other hardware must be made by a trained service person using proper tools and instructions.
- 3 Remove all ropes, and disable all locks connected to the door before installing operator.
- 4 Install door operator 7 feet or more above the floor. Mount the emergency release knob 6 feet above the floor.
- 5 Do Not connect the operator to the source of power until instructed to do so.
- 6 Locate the control button:
  - Within sight of door.
  - At a minimum height of 5 feet, so small children cannot reach it.
  - Away from all moving parts of the door.
- 7 Install the entrapment WARNING label next to the wall button or console. Install the emergency release tag on, or next to, the emergency release
- 8 The operator must reverse when the door contacts a 1-1/2 inch high object on the floor at the center of the doorway. This is about the size of a 2" x 4" board laid flat.

## SAFETY FEATURES

### **Safe-T-Beam® (STB) Non-Contact Reversing System**

Places an invisible beam across door opening, that reverses the door during down travel to the fully open position if anything passes through beam.

### **Safe-T-Reverse® Contact Reversing System**

Automatically stops and reverses a closing door within 2 seconds of contact with an object.

### **Safe-T-Stop® Timed Reversed System**

Automatically opens a closing door, if door does not close within 30 seconds.

### **Force Guard® Control**

Used to set the force required for opening and closing door. For maximum safety, set the minimum force required to fully open and close door.

### **Automatic Lighting System**

Two light bulbs up to 60 Watts max. each, are used for safer entries and exits. The light turns on when door is activated and automatically turns off 4.5 minutes later.

### **Manual Emergency Release**

Allows the garage door to be opened or closed manually for emergencies or maintenance.

## PRE-INSTALLATION CHECKLIST

This Opener includes parts and supplies needed to install in **most** garages and connect to **most** garage doors. There are many variations of garages and garage doors. A few additional parts and supplies may be needed to install Opener into **your** garage and connect to **your** garage door. While checking items listed below, note any additional items you will need.

### Tools used in this section:

- 12'+ Tape Measure
- Pencil
- Ladder
- Level

### Check following items before assembling Opener:

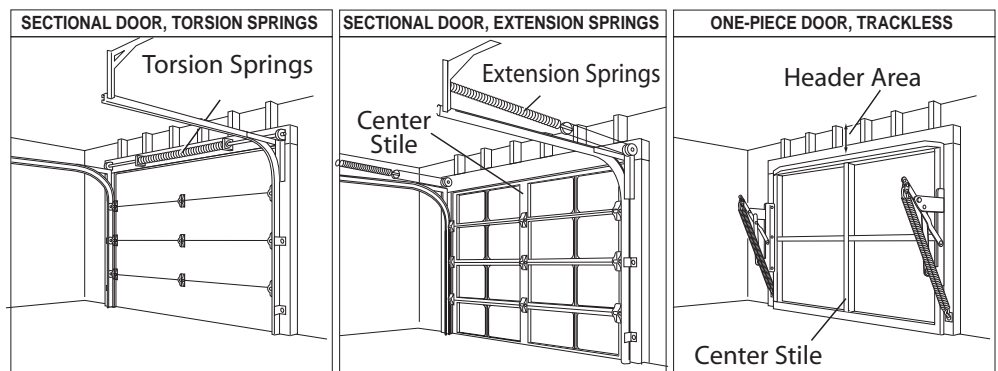
#### Check Step 1: CHECK DOOR CONDITION AND THICKNESS

Check condition of vertical stile in center of door, and its connection to door's top and bottom beams.

- A** If door frame is nailed together and not a solid connection, door frame must be braced or reinforced before installing Opener.
- B** If door is "lightweight" (made with frame and skin - not solid), door (including door frame) must be braced or reinforced before installing Opener.
- C** A door opener reinforcement bracket may also be needed to connect garage door to Opener's Door Bracket. This Opener is designed for installation on a **properly braced** sectional door or **solidly braced** one-piece door.
- D** Contact your Genie Factory Authorized Dealer or dealer of your garage door for any necessary bracing and a door opener reinforcement bracket (if needed) before proceeding.
- E** If you have a wooden door, measure door's thickness. (1/4" x 2") Lag Screws are included for installing Door Bracket onto door. If your door is less than 2" thick, brace door or use shorter Door Bracket Lag Screws (1/4" x 1 1/4" – not included)

#### Check Step 2: CHECK GARAGE DOOR ALIGNMENT, OPERATION, AND BALANCE

- A** Raise door, check alignment and see if it moves freely (**Figure 1**). If door appears out of alignment, binds, or does not move smoothly, contact a Genie Factory Authorized Dealer or dealer of your garage door for repairs and adjustments to door mechanism.
- B** Raise door to 3' – 4' above ground and carefully let go. Door should stay stationary. Slight movement is acceptable. More than slight movement means door is out of balance. Contact a Genie Factory Authorized Dealer or dealer of your garage door for repairs and adjustments to door mechanism.
- C** Check door type. Make a note of whether it is a sectional or a one-piece door (**Figure 2**).



**Figure 2** Note Door Type

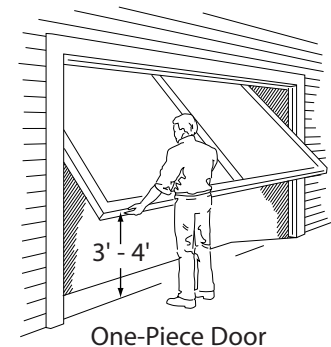
### ⚠ WARNING:

If your door sticks, binds, or is out of balance, have it adjusted by a Genie Factory Authorized Dealer. Door springs, cables, pulleys, brackets and associated hardware are under extreme tension and can cause serious injury or death.

### NOTE

The Excelerator Opener is equipped with an automatic Garage Door Balance Detection System. See Troubleshooting Guide on page 27.

KEEP FEET CLEAR OF DOOR

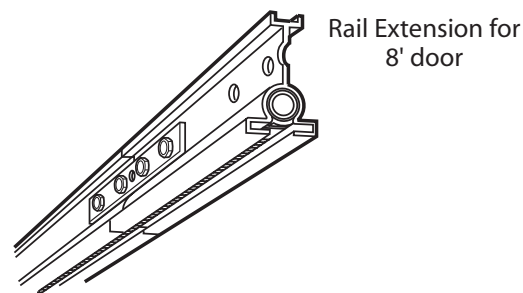


**Figure 1** Checking door balance

### Check Step 3: MEASURE GARAGE DOOR HEIGHT

Measure garage door height (7'-6", 8'-0", or taller) with tape measure.

- A** If door height is 7'-6" or less, continue with Check Step 4.
- B** If your door height is above 7'-6", make sure your rail is long enough to open the garage door. If there is any question contact your Customer Service Representative at **1-800-35-GENIE**.



**Figure 3** Rail Extension Kit

### Check Step 4: CHECK DOOR HEADER AREA

#### NOTE

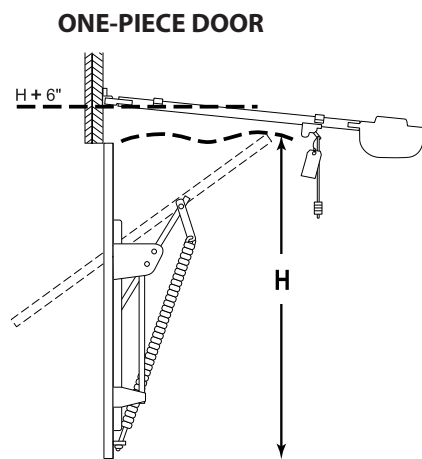
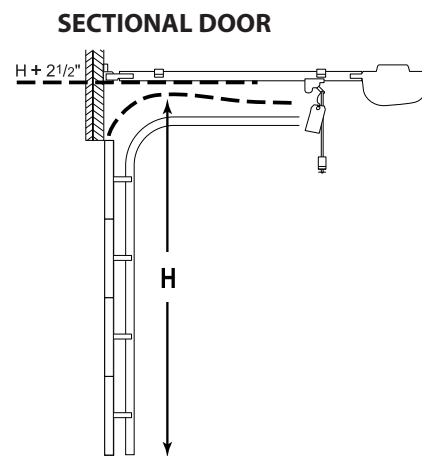
The header is a heavily reinforced section of the wall just above the top of the garage door opening.

- A** Find vertical center line of door and header:
  - Close door.
  - Measure door width at top.
  - Mark a point at center of door and on header directly above door. Draw a center line to connect points.
- B** Find Header Bracket mounting height (Figure 4): (Do not attach Header Bracket).
  - Raise door, watching top edge of door and stop door when its edge reaches its highest point.
  - Measure distance ("H") from top edge of door to floor.
    - For sectional doors, add 2-1/2" to "H". Mark a point on center line. Bottom of Header Bracket will be installed here.
    - For one-piece doors, add 6" to "H". Mark this point on center line. Bottom of Header Bracket will be installed here.

#### NOTE

- For both types of doors:
  - If the ceiling in your garage is so low that there is not at least a 3" space above the Header Bracket mounting point, contact a Genie Factory Authorized Dealer.
- If a door spring is in the way, place the Header Bracket above the spring. **Do Not** move the door spring.

- C** Check wall for a stud or a solid header at your mark: (If checking a finished wall, a stud finder may be helpful).
  - If location is above Header, a 2" x 6" board must be screwed to studs beside your mark with at least two Lag Screws and Flat Washers (not provided).
  - Transfer your mark to new mounting board.



**Figure 4** Find Highest Point of Travel

## Check Step 5: CHECK POWER HEAD MOUNTING AREA

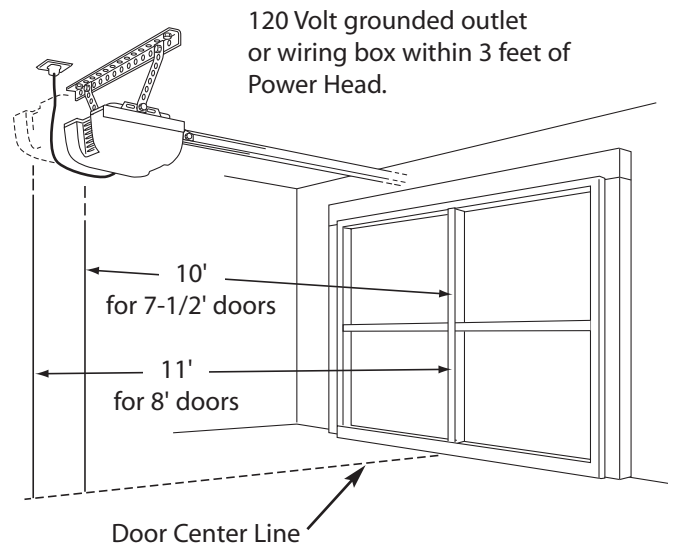
Check ceiling or space above where Opener Power Head will be mounted (**Figure 5**):

- A** Measure from garage door center line mark toward rear of garage:
- Approximately 10' back if garage has a 7' 6" door.
  - Approximately 11' back if garage has an 8' 0" door.
  - Approximately 13' back if garage has an 10' 0" door.
  - Approximately 14' back if garage has an 12' 0" door.

### NOTE

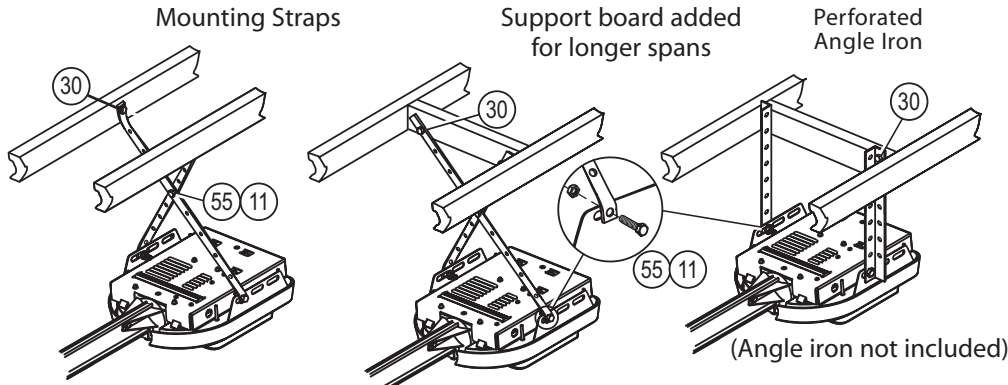
Mounting Straps are included to attach the Opener to most garage ceilings. Garage construction varies widely. Additional mounting straps or angle iron may be needed for your installation.

- B** Find location of ceiling joist or truss above where Opener Power Head will be and estimate type and quantity of materials needed for your installation (**Figure 6**).



**Figure 5** Check Power Head location

### OPEN BEAM CEILING EXAMPLES

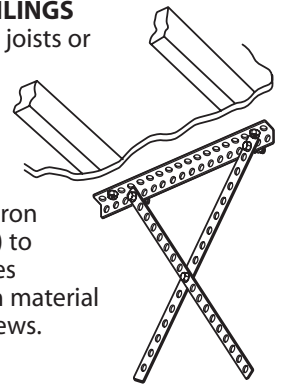


**Figure 6** Mounting methods for open beam and finished ceilings

### FINISHED CEILINGS

Locate ceiling joists or trusses using a stud finder or similar device.

Attach angle iron (not included) to joists or trusses through finish material using Lag Screws.



## Check Step 6: CHECK CEILING FOR GROUNDED POWER SOURCE

- A** Check that there is a 15 Amp 120 Volt grounded electrical outlet or grounded permanent wiring box (per building code) within 3' of Opener Power Head:
- If not, an outlet or wiring box must be installed. Contact a licensed electrician for installation.
  - If building codes require permanent wiring, Power Head must be partially disassembled to install appropriate wiring in place of Power Cord. See page 19

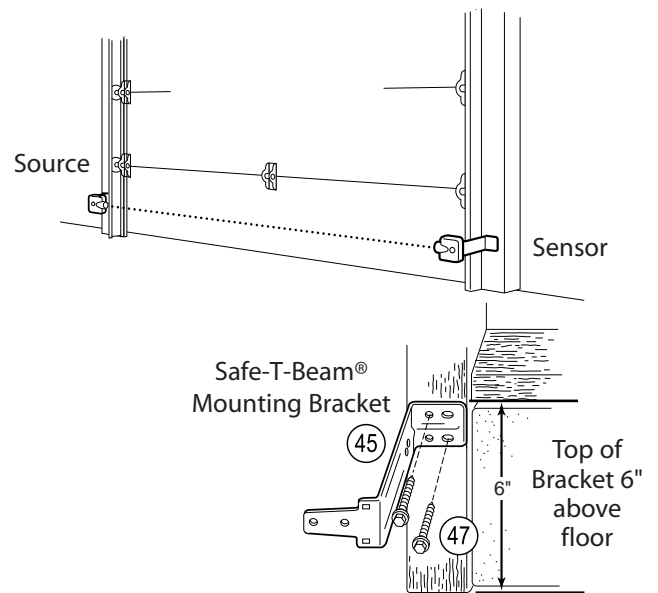
### NOTE

**Permanent wiring must be installed by a Licensed Electrician.** Not all Genie Factory Authorized Dealers are Licensed Electricians. Contact someone who is a Licensed Electrician.

## Check Step 7: CHECK SAFE-T-BEAM® MOUNTING BRACKET LOCATION

Check for wood garage frame, jamb, or masonry at mounting location (6" above floor) with attachment tabs facing away from garage door (Figure 7).

- A** If you cannot mount Safe-T-Beam® Mounting Bracket to wood frame:
- Concrete screws and concrete anchors (not included) must be used to mount Brackets on masonry with attachment tabs facing away from garage door.
  - Safe-T-Beam® Mounting Bracket Extensions may be used (not included - available from a Genie Factory Authorized Dealer or through Accessories Order Form on pages 31/32).



**Figure 7** Mounting Safe-T-Beam® Components

## Check Step 8: RECOMMENDED TOOLS

- A** Tools (Figure 8):
- B** Additional tools to make installation easier:
- Slotted and phillips screw-driver bits
  - Stud finder
  - Sheet-metal cutting snips

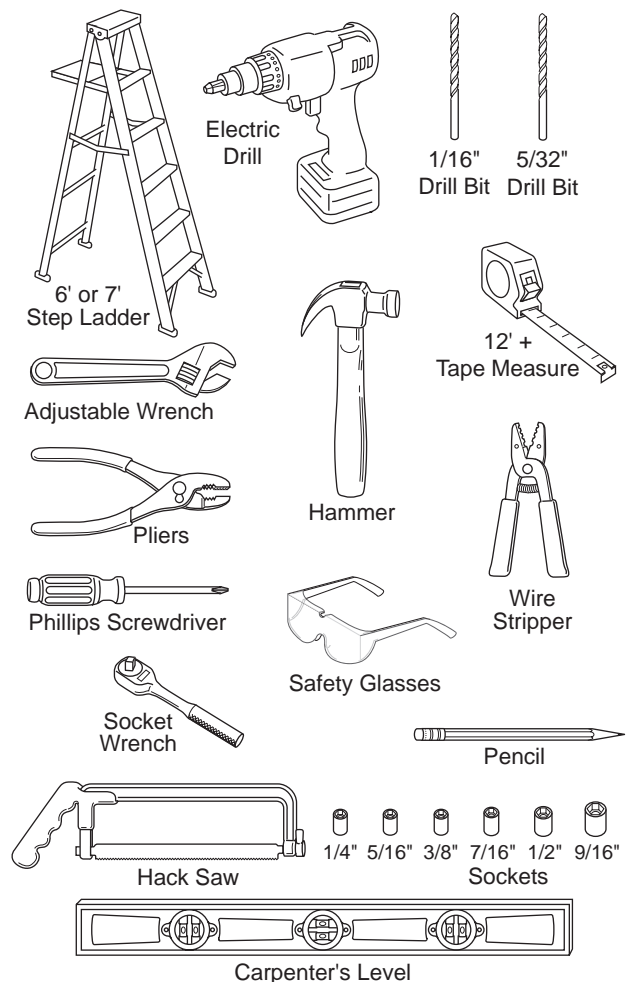
## Check Step 9: REMOVE EXISTING GARAGE DOOR LOCKS

Check that the garage door locks, rope, and T-Handles are removed from the garage door before starting the installation.

- A** If your garage does not have a separate entry door, it is highly recommended to install a Genie Emergency Release Kit (GER-2). Emergency Release Kit lets you open garage door from outside if there is a power failure. (Please see Accessories Order Form on pages 31/32.)

### Before going further, get any items and tools needed for your installation

- Safe-T-Beam® Sensor Mounting Bracket Extensions (dealer)
- Garage door opener reinforcement bracket (dealer)
- Garage door frame reinforcement brackets, screws, bracing or reinforcement kits (dealer)
- Lag Screws (1 1/4") for a wood door less than 2" thick (store)
- Electrical outlet and/or wiring (supplied by a licensed electrician)
- Excelerator Extension Kit (for 8' garage doors) (store)
- Sufficient angle iron or strapping for hanging Power Head (store)
- Two 60 Watt light bulbs (Rough service bulbs recommended)(store)
- GER-2 Emergency Release Kit for entry during power failure (store)
- Wood for header, ceiling, and/or door bracing reinforcement (if needed)
- Masonry fasteners for Safe-T-Beam® Bracket installation, (if needed)
- Masonry drill bit (if needed)



**Figure 8** Recommended Tools

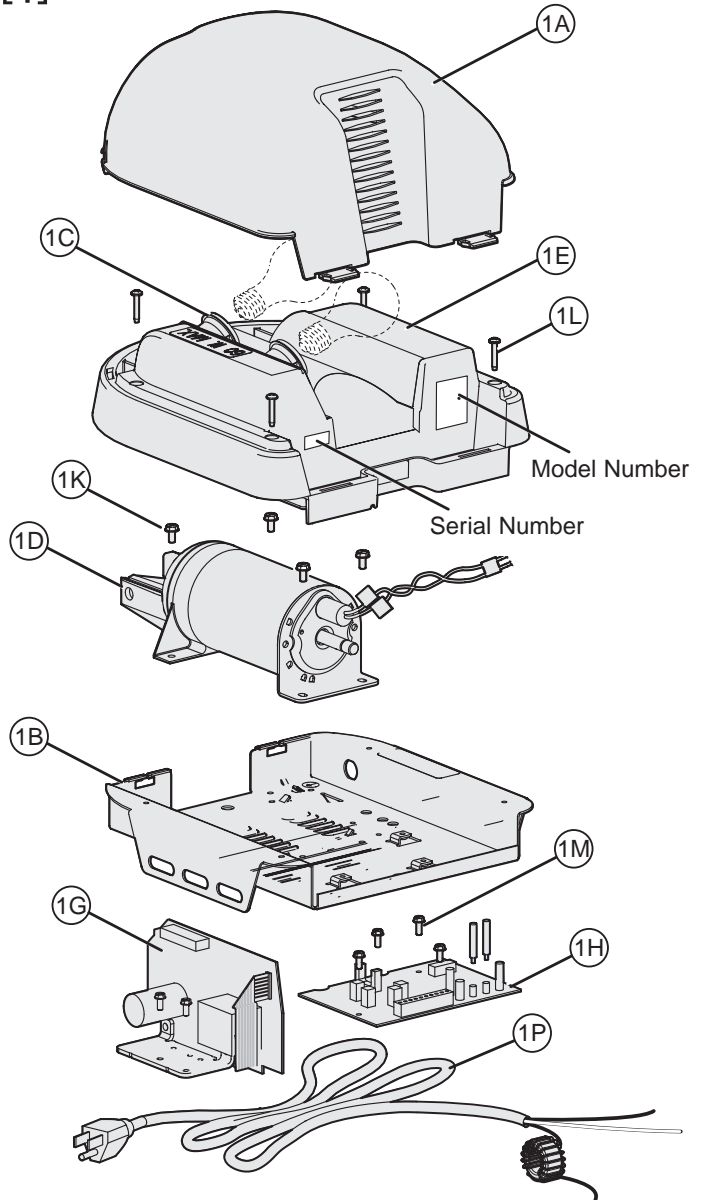
# Parts List

Item	Part Name	Quantity Required	
		1-Pc Rail	3-Pc Rail
1	Power Head Assembly (main carton)	1	1
2	1/4"-20 x 13/16" Hex Head Shoulder Bolt (blue bag) (yellow bolt)	2	2
3	Rail Assembly (1 piece)(packaged separately)	1	
4	Rail Assembly (3 piece)(main carton)		1
4A	First Rail Section		1
4B	Middle Rail Section		1
4C	End Rail Section		1
8	1/4"-20 Hex Serrated Flange Nut (blue bag)	4	4
9	Rail Clamps (blue bag)		4
10	5/16"-18 x 11/16" Hex Head Shoulder Bolt (blue bag)		8
11	5/16"-18 Hex Serrated Flange Nut (blue & orange bags)	varies /model	12
12	Magnetic Carriage Assembly (main carton)	1	1
13	Collar (blue bag)		3
14	Retaining Clip (blue bag)		3
15	Rail Strap (blue bag)	1	1
16	1/4"-20 Hex Head Bolt (blue bag)	2	2
18	Open Limit Switch Assembly (White)(green bag)	1	1
19	Close Limit Switch Assembly (Brown) (green bag)	1	1
21	No. 8-32 x 1" Hex Head Screw (green bag)	2	2
22	Emergency Release Cord (green bag)	1	1
23	Emergency Release Cord (long)(yellow)	10' & 12' only	
24	Emergency Release Knob (green bag)	1	1
25	Emergency Release Tag (green bag)	1	1
26	Header Bracket (orange bag)	1	1
28	Door Bracket (orange bag)	1	1
30	1/4" x 2" Lag Screw (orange bag)	varies /model	8
31	Straight Door Arm (main carton)	1	1
32	Clevis Pin, 3/8" x 15/16" (yellow bag)	2	2
33	Cotter Pin, .073" dia. (yellow bag)	2	2
34	Curved Door Arm (main carton)	1	1
35	3/8" x 7/8" Hex Head Bolt (yellow bag)	2	2
36	3/8" Hex Serrated Flange Nut (yellow bag)	2	2
37*	2-Conductor Wire (main carton)	1 Roll	1 Roll
38*	Insulated Staple (red bag)	approx. 30	approx. 30
40*	Wall Console (main carton)	1	1
41*	#6 x 1-1/4" Pan Head Screw (red bag)	2	2
42*	Entrapment Warning Label (manual)(main carton)	1	1
43*	Safe-T-Beam (STB) Sensor (Green LED)(main carton)	1	1
44*	Safe-T-Beam (STB) Source (Red LED)(main carton)	1	1
45*	Safe-T-Beam (STB) Bracket (yellow bag)	2	2
46	Coupler (blue bag)	1	1
47*	No. 10 x 1 1/4" Phillips Hex Head Screw (yellow bag)	4	4
48*	1 Button Remote Control (main carton)	varies /model	varies /model
49*	3 Button Remote Control (main carton)	varies /model	varies /model
50*	Wireless Keypad (main carton)	varies /model	varies /model
51*	2 Button Remote Control (main carton)	varies /model	varies /model
52*	Safety & Maintenance Guide (manual)(main carton)	1	1
53	Wire Clip (green bag)		7
54	Bumper (blue bag)	1	1
55*	5/16"-18 x 3/4" Hex Head Bolt (orange bag)		3
56	1/4-20 x 3/4" Self-drilling Screw (orange bag)	3	3
57	Mounting Straps (main carton)	2	2

\* Denotes items not shown on page 8. These items will be illustrated throughout the manual as required.

# POWER HEAD ASSEMBLY EXPLODED VIEW

[1]



# POWER HEAD ASSEMBLY PARTS LIST

Item	Part Name
1A	Lens
1B	Top Plate Assembly
1C	Light Socket (2)
1D	Motor Assembly
1E	Cover
1G	Motor Drive Board
1H	Controller Board
1K	No. 10-24 x 3/8" Hex Head
1L	No. 8-32 x 1" Phillips Screw
1M	No. 8-32 x 3/8" Slotted Hex Head Screw
1P	Power Cord

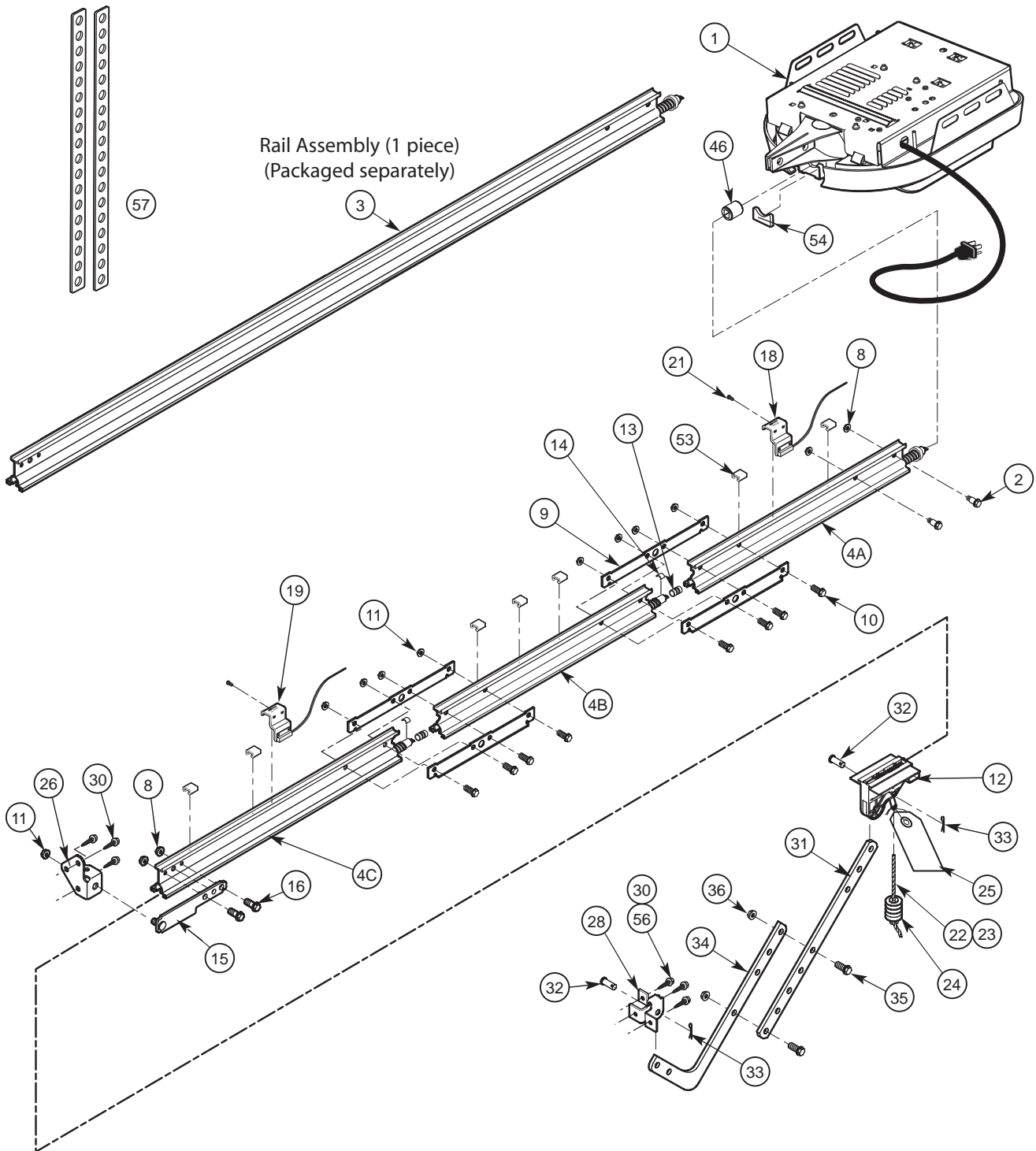
# EXCELERATOR HARDWARE EXPLODED VIEW

## NOTE

Opener will not function unless Safe-T-Beam® System is installed and Force Controls are **properly** set.

### One-Piece Rail Assembly (Genie Pro only) for 10' or 12' door includes:

- Special "Close" Limit Switch with longer Wires.
- 96" Emergency Release Cord (yellow).
- Rail Support Kit.





# GARAGE DOOR OPENER ASSEMBLY

## Assembly Step 1: CONNECT RAIL TO POWER HEAD

### OPEN BLUE PARTS BAG

- A Turn Power Head upside down and place on a flat level surface.
- B Install Bumper (**Figure 9**).
- C Install Coupler on Motor Shaft (**Figure 9**).



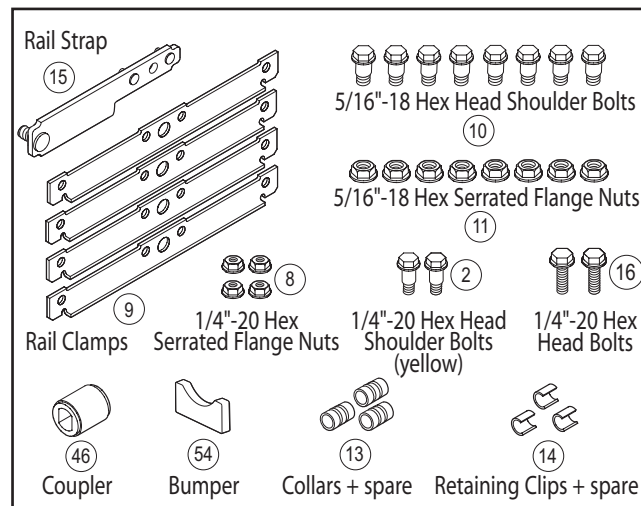
### CAUTION

The Drive Screw and Rail Liner can slide out of Rail Sections. Keep Rail Sections level until the Opener is fully assembled.

- D Connect first Rail Section to Opener Power Head. Connect with 2 (1/4"-20) (**yellow**) Hex Head Shoulder Bolts and 2 (1/4"-20) Hex Serrated Flange Nuts (**Figure 10**). **Finger-tighten until later.**
- E If you have a 1-piece rail unit, skip Assembly Step 2.

## Assembly Step 2: INSTALL REMAINING RAIL SECTIONS

- A Arrange arrows on Rail Sections to point in same direction and away from Power Head:
  - Push Middle Drive Screw out about 2" toward Power Head.
  - Slide Collar over Middle Drive Screw Hook (**Figure 11A**).
  - Turn Middle Screw by hand to align Drive Screw Hooks between First and Middle Rail Sections.
  - Latch two Hooks together and slide Collar over them (**Figure 11B**) and (**Figure 11C**).
  - Snap Clip on Drive Screw next to Collar (**Figure 11D**).
- B Attach Middle Rail Section to First Rail Section, using 2 Rail Clamps, 4 (5/16"-18) Hex Shoulder Bolts, and 4 (5/16"-18) Hex Head Serrated Flange Nuts onto Bolts (**Figure 11**). **Finger-tighten until later.** (Middle Rail Section looks the same on both ends. See page 8.)
- C Attach End Rail Section to Middle Rail Section following procedures in step A & B.



Hardware (blue bag)

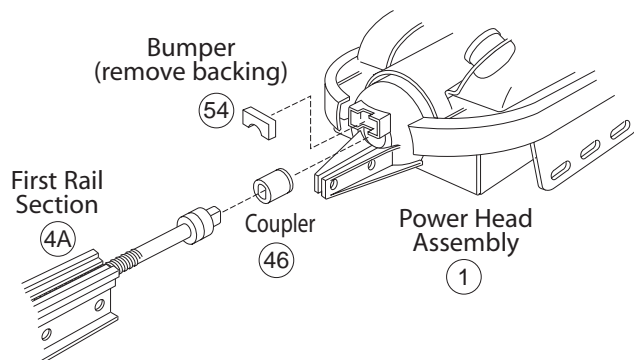


Figure 9 Install Bumper, Coupler and 1st Rail Section

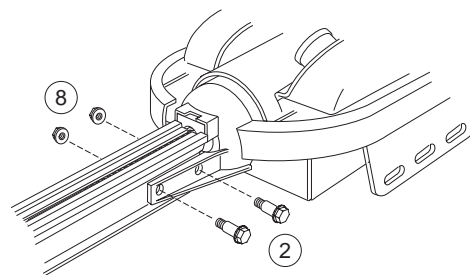


Figure 10 Bolt 1st Rail Section to Power Head

### NOTE

If the Extension Assembly (GSXL8) is needed, attach it per instructions supplied with kit.

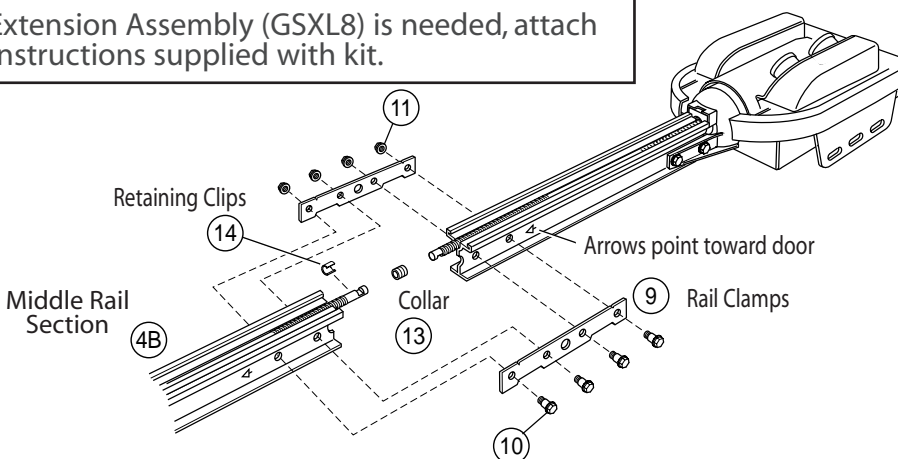
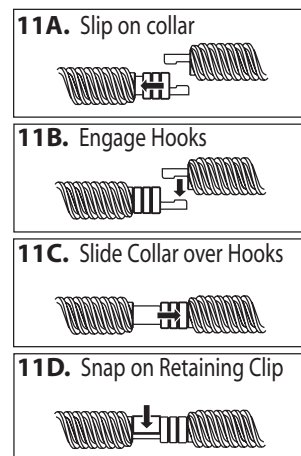


Figure 11 Attach Middle Rail Section



### Assembly Step 3: INSTALL MAGNETIC CARRIAGE ASSEMBLY ONTO RAILS

- A Place Magnetic Carriage Assembly Lever in "release" position.
- B Slide Magnetic Carriage Assembly into slot on End Rail Section with arrow pointing away from the Power Head (Figure 12).

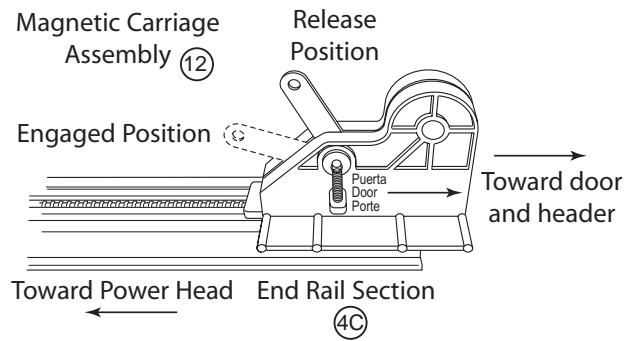


Figure 12 Slide Magnetic Carriage onto Rail

### Assembly Step 4: ATTACH RAIL STRAP TO END RAIL SECTION

- A Attach Rail Strap to End Rail Section with 2 (1/4"-20) Hex Head Bolts and 2 (1/4"-20) Serrated Flange Hex Nuts (Figure 13).
- B Tighten snugly but **Do Not** over-tighten.

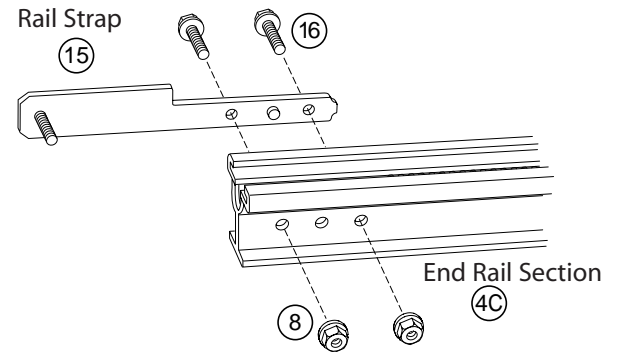


Figure 13 Attach Rail Strap

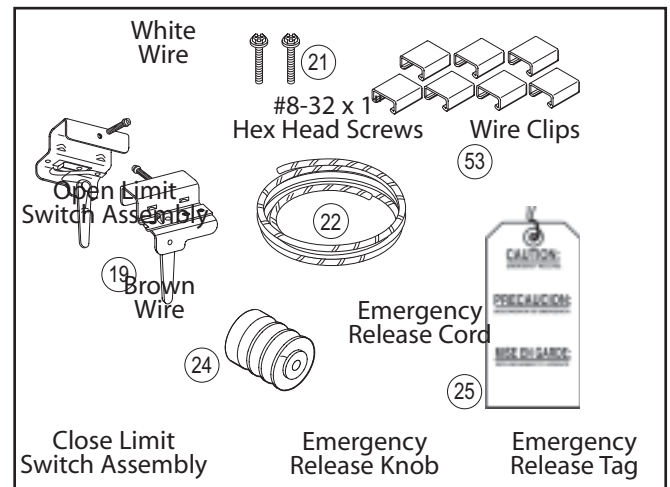
### Assembly Step 5: ALIGN RAIL SECTIONS AND TIGHTEN ALL BOLTS

- A Align all Rail Sections so Magnetic Carriage Assembly can slide freely along length of Rail.
- B **Securely tighten all fasteners now. Do Not** over-tighten.

### Assembly Step 6: INSTALL AND CONNECT LIMIT SWITCHES

#### OPEN GREEN PARTS BAG

- A Turn Opener right side up and support Power Head to avoid damaging the Light Bulb Sockets.
- B Uncoil Limit Switch Wires and retain Twist Ties.
- C Place Switches on Rail with arrows pointing away from Power Head (Figure 14).
- D Place Close Limit Switch (Brown Wire) 15" from Rail Strap. Insert (#8-32 x 1") Hex Head Screw into Switch hole and **finger-tighten until later.**
- E Place Open Limit Switch (White Wire) 15" from Power Head. Insert (#8-32 x 1") Hex Head Screw into Switch hole and **finger-tighten until later.**



Hardware (green bag)

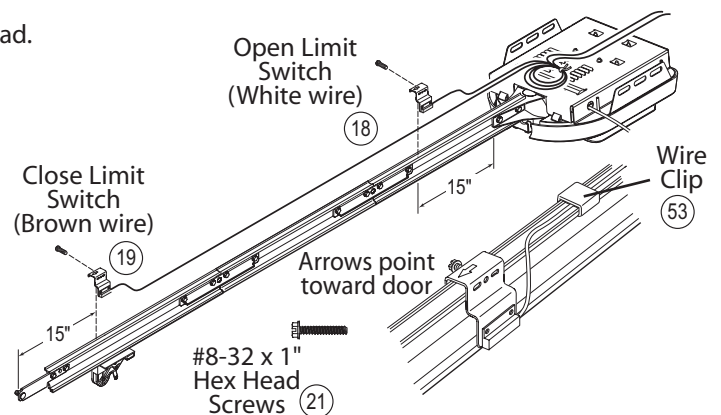
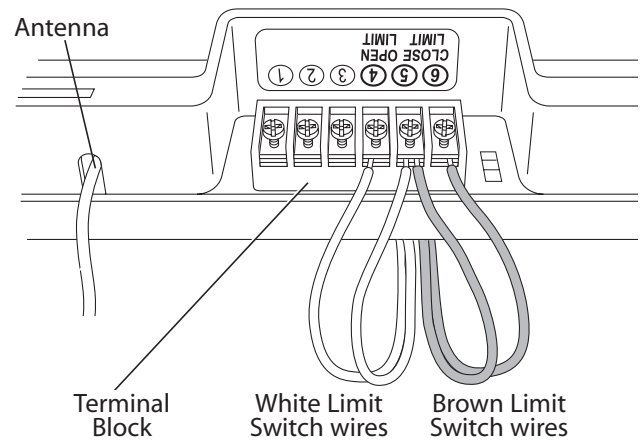


Figure 14 Install Limit Switches on Assembled Rail

## NOTE

- Loosen (**Do Not Remove**) Terminal Block Screws.
- Limit Switch adjustments and securing the Wires will be done later.

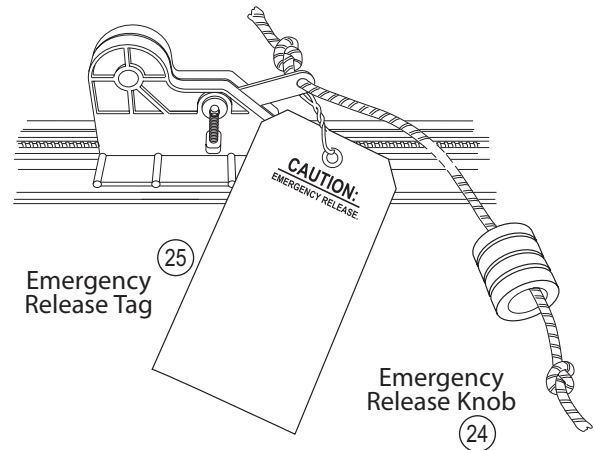
- F** Lay Wires in channel on top of Rail and secure with Wire Clips (**Figure 14**).
- G** Coil and bundle excess Limit Switch Wires on top of Power Head with Twist Ties. Leave just enough Wire to reach Terminals on back of Power Head (**Figure 14**).
- H** Turn Opener upside down, and connect Limit Switch Wires to Power Head Terminal Block (**Figure 15**):
- **Terminal 4:** OPEN Limit Switch Wire (white).
  - **Terminal 5:** OPEN Limit Switch Wire (white) and CLOSE Limit Switch Wire (brown).
  - **Terminal 6:** CLOSE Limit Switch Wire (brown).



**Figure 15** Connect Limit Switch Wires to Power Head Terminal Block

## Assembly Step 7: ATTACH EMERGENCY RELEASE KNOB, CORD, AND TAG

- A** Tie overhand knot at one end of Emergency Release Cord.
- B** Thread opposite end of Cord through Knob and hole in Magnetic Carriage Assembly Release Lever (**Figure 16**).
- C** Tie overhand knot at this end of Emergency Release Cord.
- D** Attach Emergency Release Tag to Magnetic Carriage Assembly Release Lever.



**Figure 16** Attach Emergency Release Cord/Knob and Tag

## Assembly Step 8: RECORD OPENER MODEL AND SERIAL NUMBER

Please note the following information so it is available if you need to call us:

Date purchased: \_\_\_\_\_/\_\_\_\_\_/\_\_\_\_\_

Serial number (**Figure 17**): \_\_\_\_\_

Model number (**Figure 17**): \_\_\_\_\_

Dealer Name: \_\_\_\_\_

Dealer Address: \_\_\_\_\_

City: \_\_\_\_\_

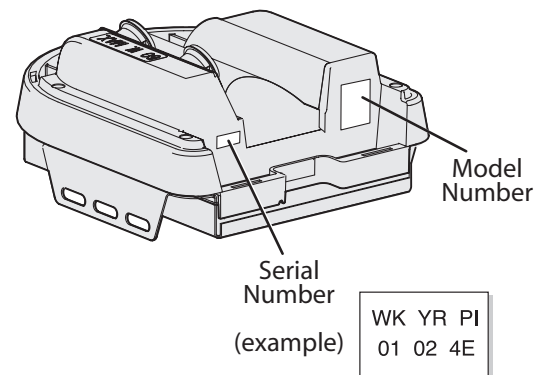
State: \_\_\_\_\_

Zip: \_\_\_\_\_

Phone: \_\_\_\_\_

## NOTE

Please keep original or photocopy of your sales receipt with this manual for future reference should service ever be required.



**Figure 17** Model and Serial Numbers

# GARAGE DOOR OPENER INSTALLATION

## NOTE

For lightweight garage doors, make sure you have installed the proper reinforcement (See Check Door Condition and Thickness on page 3).

## Installation Step 1: INSTALL HEADER BRACKET

## CAUTION

- The Header Bracket must be fastened to the garage framing. Do Not fasten the Header Bracket to drywall, particle board, plaster, or other such material.
- It may be necessary to attach a 2" x 6" board across the wall studs above the door header to serve as a mounting plate for the Header Bracket. The Bracket can then be mounted at the proper location and have sufficient support.
- If a door spring is in the way, place the Header Bracket above the spring. Do Not move the door spring.

- A** If needed, attach a 2" x 6" board (**Figure 18**) (also see page 4) with at least two (four is recommended) Lag Screws and Flat Washers (not supplied).

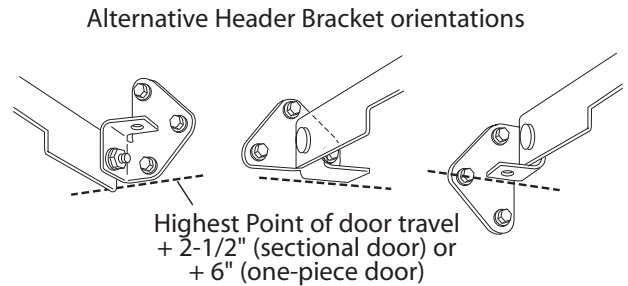
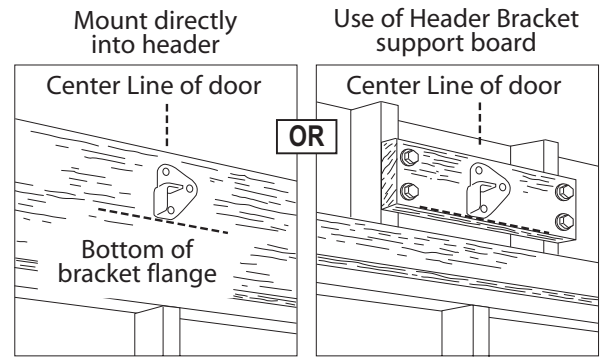
## OPEN ORANGE PARTS BAG

- B** Attach Header Bracket to header at mark above door.

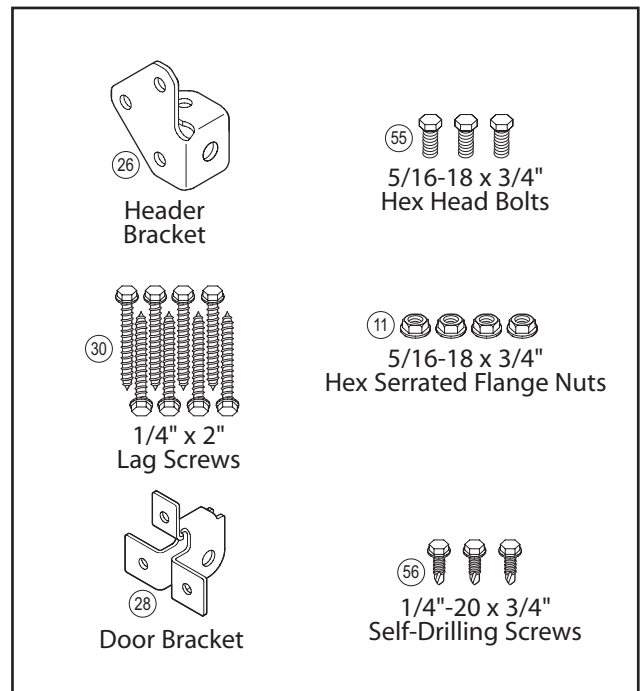
## NOTE

Mounting variations are shown in **Figure 18**. Any of these may be used depending on space. However, it is critical that the point where the Rail attaches to the Header Bracket be on the center line of the door.

- Mark 3 hole positions.
- Drill 3 (5/32") pilot holes.
- Attach Header Bracket with 3 (1/4" x 2") Lag Screws.



**Figure 18** Attach Header Bracket above Garage Door



Hardware (orange bag)

## Installation Step 2: INSTALL GARAGE DOOR BRACKET

### CAUTION

Doors made of masonite, lightweight wood, fiberglass, metal, or other lightweight materials must be properly braced before mounting door Opener.

#### For sectional doors:

- A** Place Door Bracket on door center line, no lower than top roller, and mark holes (**Figure 19**).
- B** Attach Door Bracket:
- For metal doors, use 3 (1/4" -20 x 3/4") Self-Drilling Screws (provided).
  - For wood doors, use 3 (1/4" x 2") Lag Screws or 3 (1/4" x 1 1/4") Lag Screws (not provided).

### NOTE

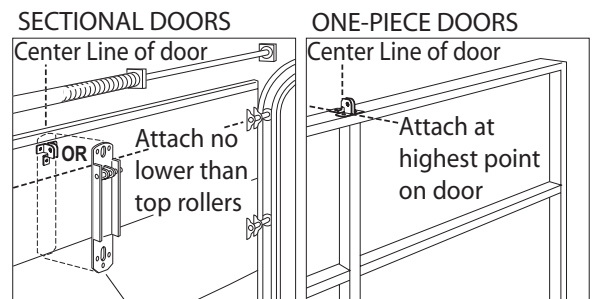
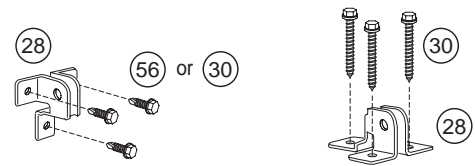
Before installing, check length of the included Lag Screws vs. the thickness of your garage door. For doors thinner than 2", use 1 1/4" Lag Screws. Check door condition and thickness. See page 3.

#### For one-piece doors:

- A** Position Door Bracket on door's center line, as high as possible or on top of door.
- B** Attach Door Bracket:
- For metal doors, use 3 (1/4" -20 x 3/4") Self-Drilling Screws.
  - For wood doors, use 3 (1/4" x 2") Lag Screws.

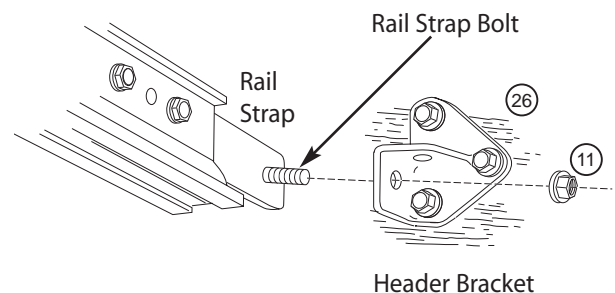
## Installation Step 3: ATTACH RAIL TO HEADER BRACKET

- A** While supporting the Power Head, place threaded end of Rail Strap Bolt through Header Bracket hole (**Figure 20**).
- B** Attach (5/16"-18) Flange Nut to Rail Strap Bolt. **Finger-tighten until later.**



Optional Door Operator Bracket (not included)

**Figure 19** Attach Door Bracket



**Figure 20** Attach Rail Strap to Header Bracket

## Installation Step 4: ATTACH POWER HEAD TO GARAGE

- A** Raise and support Opener Power Head (along door center line) higher than highest point of door travel (using step ladder, etc.) (**Figure 21**).
- B** Measure distance from Opener to garage ceiling.

### CAUTION

Mounting Brackets must be fastened to garage framing. **Do Not** fasten to drywall, particle board, plaster, or other such materials.

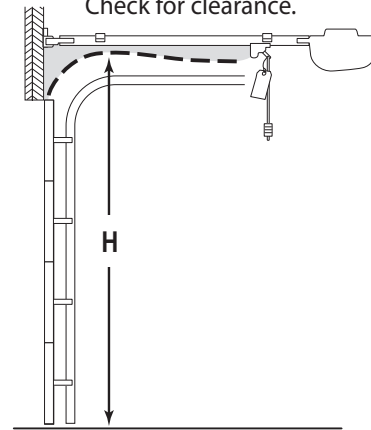
### NOTE

- Make sure the rail of your supported Power Head is slightly higher than the highest point of door travel by raising the door to check. Adjust as needed.
- Materials needed for mounting Opener Power Head to garage may vary. Read all instructions completely.
- Garage constructions differ. Extra material may be needed. See Check Power Head Mounting Area on page 5.

- C** Install Mounting Straps and/or support brackets (angle iron not included) to joists or trusses and to mounting slots in Opener. Use (5/16"-18 x 3/4") Hex Head Bolt, (5/16"-18) Serrated Flanged Nut, and (1/4" x 2") Lag Screws as needed (**Figure 22**).
- D** **Securely tighten all fasteners now. Do Not** over-tighten.

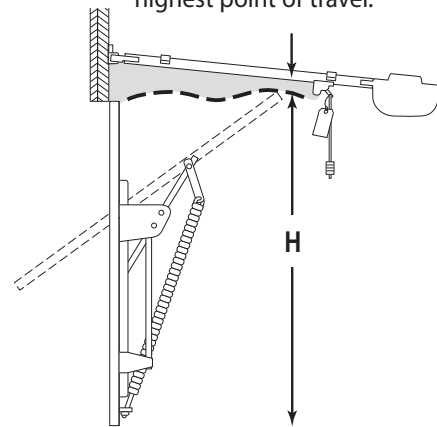
#### SECTIONAL DOORS

Rail Should be level or dip down slightly. Check for clearance.



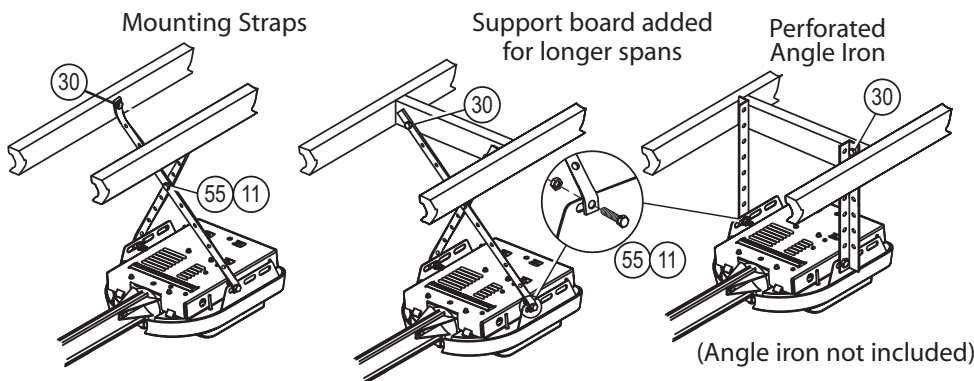
#### ONE-PIECE DOORS

Set clearance at 1"-1 1/2" between Rail and door at highest point of travel.



**Figure 21** Checking Power Head position

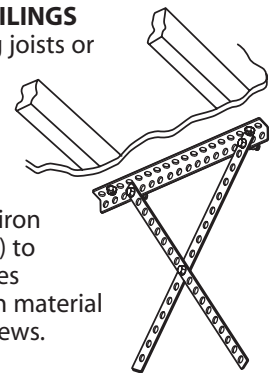
#### OPEN BEAM CEILING EXAMPLES



#### FINISHED CEILINGS

Locate ceiling joists or trusses using a stud finder or similar device.

Attach angle iron (not included) to joists or trusses through finish material using Lag Screws.



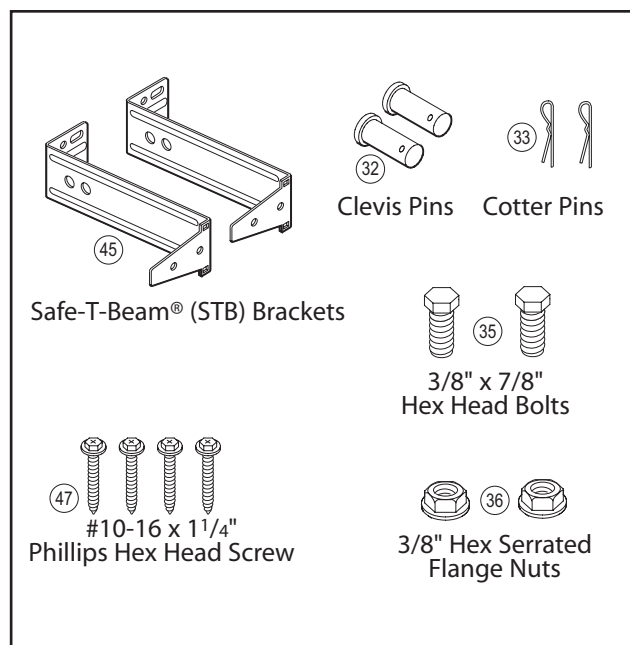
**Figure 22** Mounting methods for open beam and finished ceilings

## Installation Step 5: ASSEMBLE AND CONNECT DOOR ARMS

### OPEN YELLOW PARTS BAG

#### For sectional doors:

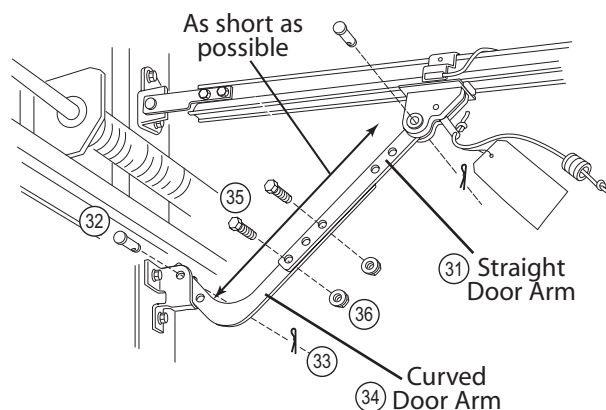
- A** Attach Curved Door Arm to Door Bracket with Clevis Pin and Cotter Pin (**Figure 23**).
- B** Attach Straight Door Arm to Magnetic Carriage Assembly.
- C** Attach both Arms together with 2 (3/8" x 7/8") Hex Head Bolts and 2 (3/8") Serrated Flange Hex Nuts so overall length is as **short** as possible. Securely tighten fasteners.
- D** Adjust height of Emergency Release Cord Knob to 6' above floor:
  - Pull Cord through Magnetic Carriage Assembly Lever until Knob is 6' from floor.
  - Tie a new overhand knot in Cord at Magnetic Carriage Assembly Lever.



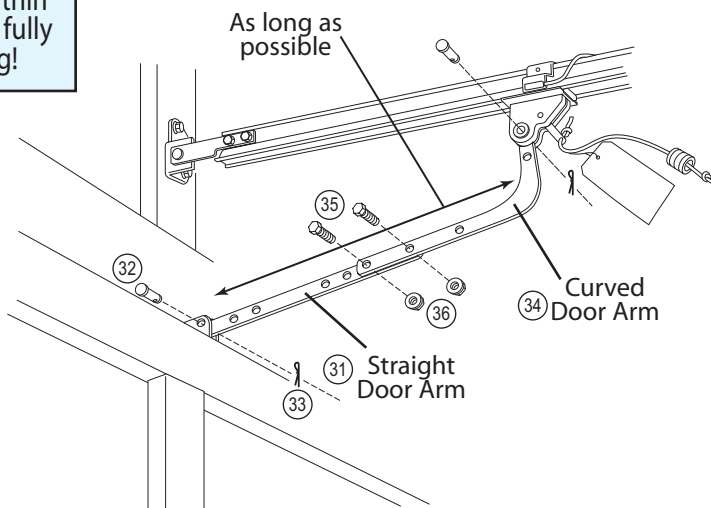
Hardware (yellow bag)

#### For one-piece doors:

- A** Attach Straight Arm to Door Bracket with Clevis Pin and Cotter Pin (**Figure 24**).
- B** Attach Curved Arm to Magnetic Carriage Assembly.
- C** Attach both Arms together with 2 (3/8" x 7/8") Hex Head Bolts and 2 (3/8") Serrated Flange Hex Nuts so overall length is as **long** as possible. Securely tighten fasteners.
- D** Adjust height of Emergency Release Cord Knob to 6' above floor:
  - Pull Cord through Magnetic Carriage Assembly Lever until Knob is 6' from floor.
  - Tie a new overhand knot in Cord at Magnetic Carriage Assembly Lever.



**Figure 23** Assemble Arms (SECTIONAL)



**Figure 24** Assemble Arms (ONE-PIECE)

## WARNING

**Do Not** skip Step **D** above!  
Failure to comply may leave Emergency Release Knob within reach of children. If the Knob is pulled with garage door fully or partially open, garage door may close without warning!

## Installation Step 6: INSTALL SAFE-T-BEAM® SYSTEM



### ELECTRICAL WARNING

Ensure there is **No** power to the Opener before installing Safe-T-Beam® System Wires. If Opener is plugged into outlet, **Unplug it now.**

### NOTE

The Opener will not close the door automatically unless the Safe-T-Beam® System is installed.

- A** Install Safe-T-Beam® Source and Sensor (**Figure 25**):
- Mark both sides of garage door frame or wall 6" above floor.
  - Hold Bracket against door frame or wall. Check if Bracket extends out from wall far enough so tongue of Bracket is beyond door, tracks, or any door hardware. If not, Safe-T-Beam® Mounting Bracket Extensions are available from a Genie Factory Authorized Dealer or through the Accessories Order Form.
    - Blocks of wood, etc. may be substituted for extensions.
  - Position top of Mounting Bracket at 6" mark and fasten with 2 (#10-16 x 1-1/4") Phillips Hex Head Screws per Bracket.

### NOTE

Mounting Brackets can be attached to brick walls or concrete floor using masonry anchors (not included).

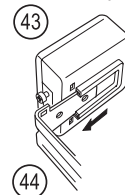
- B** Attach Safe-T-Beam® Source (Red LED) and Sensor (Green LED) to Brackets (**Figure 25**):
- For single-door garages.
    - Determine which side of garage receives the most direct sunlight, and place Source (Red LED) on this side whenever possible.
  - For multiple-door garages see (**Figure 26**).
    - Preventing crossed signals is critical.
    - Place Source and Sensor modules on adjacent doors facing in opposite directions.

### NOTE

To help prevent interference from the sun, the Safe-T-Beam® Sensor (Green LED) may be placed further away from the door opening, where it will spend more time in the shadows.

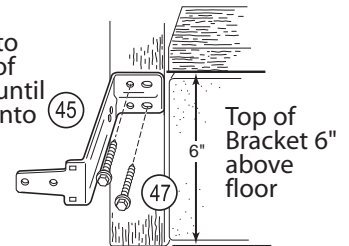
- Slide the Safe-T-Beam® Source and Sensor onto the tongues of the Brackets until they click into place.
- Check final height of Lens (**Figure 27**).

Safe-T-Beam® Sensor (Green LED)

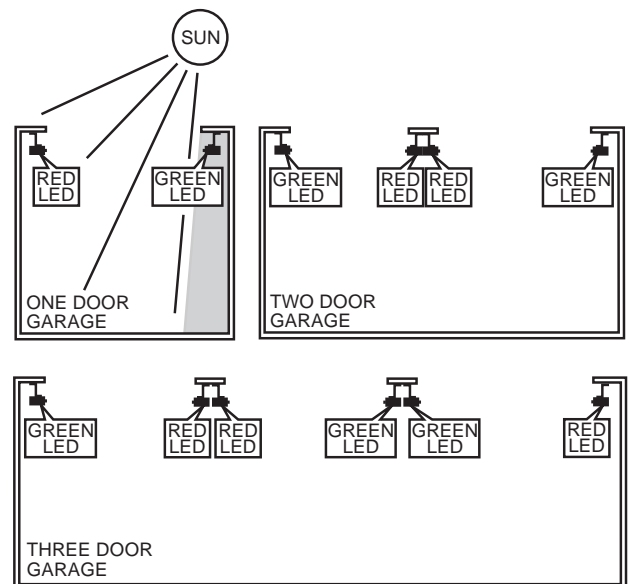


Safe-T-Beam® Source (Red LED)

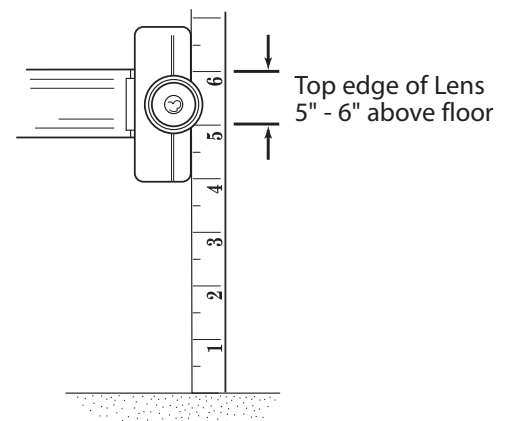
Slide onto tongue of Bracket until it clicks into place



**Figure 25** Install Safe-T-Beams®



**Figure 26** Source/sensor Locations



**Figure 27** Final Check Safe-T-Beams®



## ! CAUTION

Staples which are too tight may cut or pinch Wires. Cut or pinched Wires can cause the Safe-T-Beam® System to stop working. When installing the Insulated Staples, make sure you fasten them only as tightly as needed to hold the Wire securely.

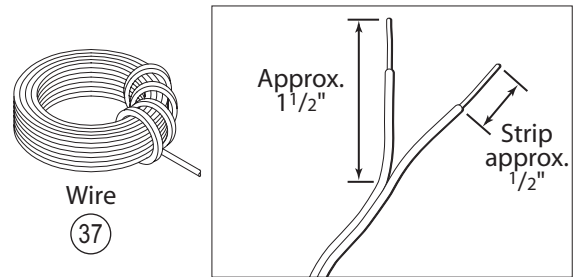
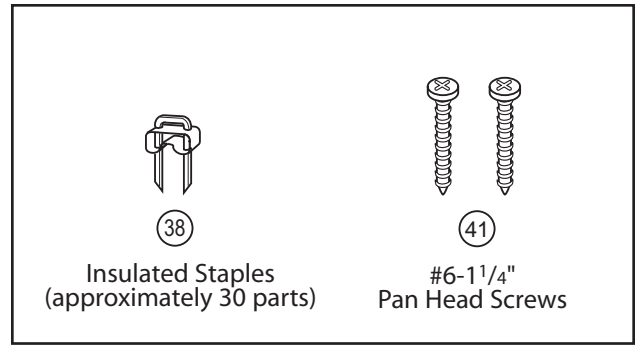
## OPEN RED PARTS BAG

### C Install Safe-T-Beam® Wiring (Figure 28):

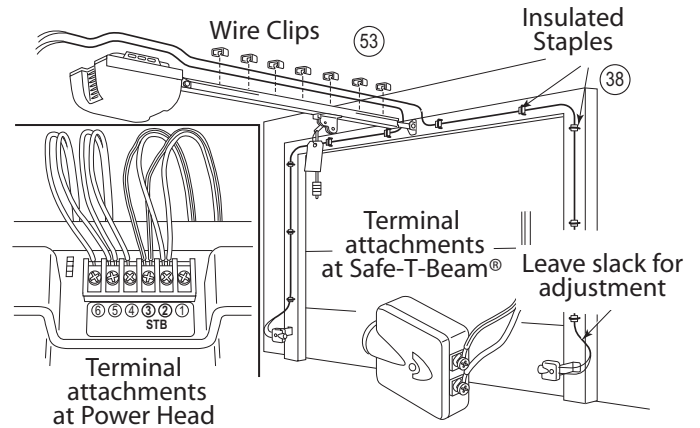
- Route Wire and Insulated Staples (Figure 29 and Figure 30).
  - Securely fasten Wires with Insulated Staples as you go. Staples should be snug only.
  - Wires between garage wall and Power Head should be run on top of Rail and underneath Wire Clips.
- Attach Wires to Safe-T-Beam® Sensors.
  - Split and strip Wire ends to be connected as shown.
  - Loosen Terminal Screws.
  - Insert each Wire under flat plate and tighten Screw. It does not matter which Wire, white or striped, goes on which Terminal.
- Attach Wires at Power Head.
  - Wires are connected to Terminals #2 and #3 on Power Head Terminal Block. It does not matter which Wire, white or striped, goes on which Terminal.
- Check the following.
  - Ensure that no part of door or its hardware is in path between Source or Sensor Lenses.
- Ensure that tops of Lenses are between 5" – 6" above floor. Brackets are flexible and can be adjusted slightly if needed.

## NOTE

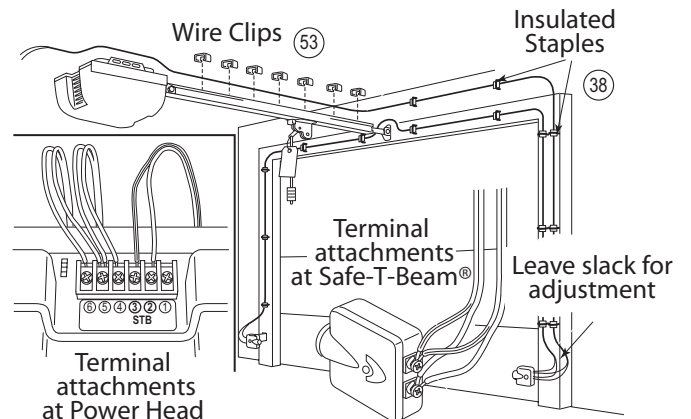
The Safe-T-Beam® alignment check will be performed following connection to electrical power.  
**Do Not** plug in yet!



**Figure 28** Wire the Safe-T-Beam® System



**Figure 29** Wiring Method A



**Figure 30** Wiring Method A

## Installation Step 7: WALL CONSOLE INSTALLATION

### WARNING

Verify there is no power to the Opener before installing Wall Console Wires.

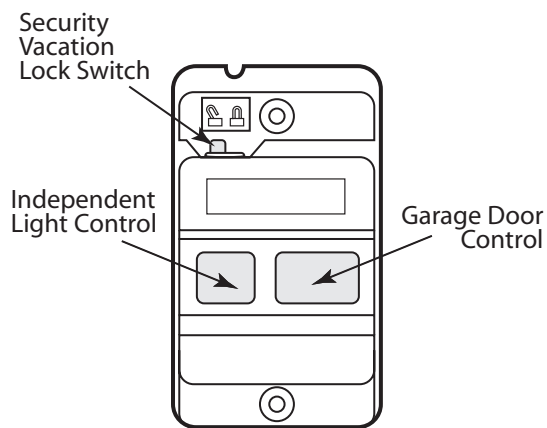
### NOTE

More than one lighted Wall Control per Opener will cause a malfunction.

- A Wall Console (Figure 31):**
- Has a Security Vacation Lock Switch which disables all controls.
  - LED Indicator shows whether system is powered, locked, or unlocked. Makes Console easy to find in dark.
  - Controls door Opener from inside garage.
  - Independent Light Control allows convenient manual control of Opener Lighting System.
- B Find a convenient mounting location:**
- Within direct sight of garage door.
  - At least 5' above floor (to prevent small children from operating garage door).
  - Away from any moving garage door or Opener parts (you should not be able to reach door while standing at Wall Console).
- C Ensure Vacation Lock Switch is in UNLOCKED position.**
- D Wire Wall Console to Opener (Figure 32):**
- On Power Head, connect Striped Wire to Terminal #1 and White Wire to Terminal #2.
  - On back of Wall Console, connect Striped Wire to terminal "B" and White Wire to Terminal "W".
- E Attach Wall Console onto wall at location found above with 2 (#6 x 11/4") Pan Head Screws.**
- F Remove protective backing from Entrapment Warning Label, and attach it to wall near Wall Console.**

### CAUTION

- Use of any wall consoles other than the type included will prevent the light from working properly and could cause the door to operate on its own.
- Cut or pinched Wires can cause the Wall Console to stop working. When using the Insulated Staples, be sure to only tap them in as far as needed to hold the Wire snugly.



Wall Console

(40)

Figure 31 Wall Console

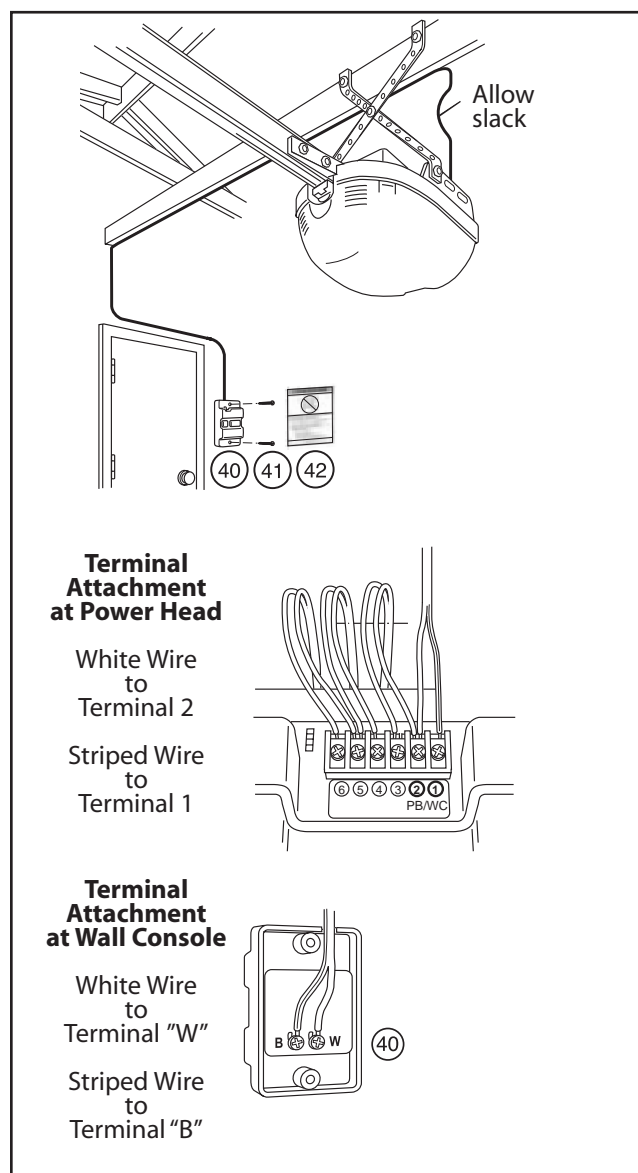


Figure 32 Install Wall Console with Entrapment Warning Label

## Installation Step 8: CONNECTING POWER

### ELECTRICAL WARNING

- To reduce the risk of electrical shock, this equipment has a grounding type Plug that has a third (grounding) Pin. This Plug will only fit into a grounding type outlet. If the Plug does not fit into the outlet, contact a qualified electrician to install the proper outlet. **Do Not** change the Plug in any way. The door Opener must be properly grounded to prevent personal injury and damage to the components.
- The electrical power to the door Opener **Must Be** removed when the Motor Cover is removed. Electrical power must remain off while making electrical connections.

#### A Check building codes:

- If building code requires Opener be permanently wired to building, have a **licensed electrician** perform step B.
- If you are not installing permanent wiring, go to step C.

#### B Instructions for licensed electrician - connecting power with permanent wiring (Figure 33):

- Remove power from circuit.
- Remove Motor Cover.
- Remove and discard Power Cord.
  - Cut off Power Cord inside Power Head as near Strain Relief as possible.
  - Remove Knock-Out Plug, Strain Relief, and Power Cord. (Cut Ground Wire on line side of Toroid).
  - Dispose of Plug, Strain Relief, and Power Cord.
- Install required entrance bushing.
- Connect permanent wiring to Power Head Wires.
  - White supply line to Opener White Wire.
  - Black supply line to Opener Black Wire.
  - Ground to Opener Green Wire.
  - Replace Motor Cover.

### NOTE

- Use only Underwriters Laboratories, Inc. (U.L.) recognized wire nuts.
- The Circuit Boards are light sensitive. Ensure the Motor Cover is installed before energizing the Opener.

- Restore Power to circuit.

#### C Connecting Power with Plug:

- Plug Opener into a grounded outlet as stated in previous electrical warning.

#### D Perform Safe-T-Beam® alignment check:

- Check if Safe-T-Beam® Source Red LED is glowing continuously (OK) or blinking (problem).
- If Red LED is blinking twice, adjust Sensor Brackets as needed to make Red LED glow continuously. (Refer to page 26.)

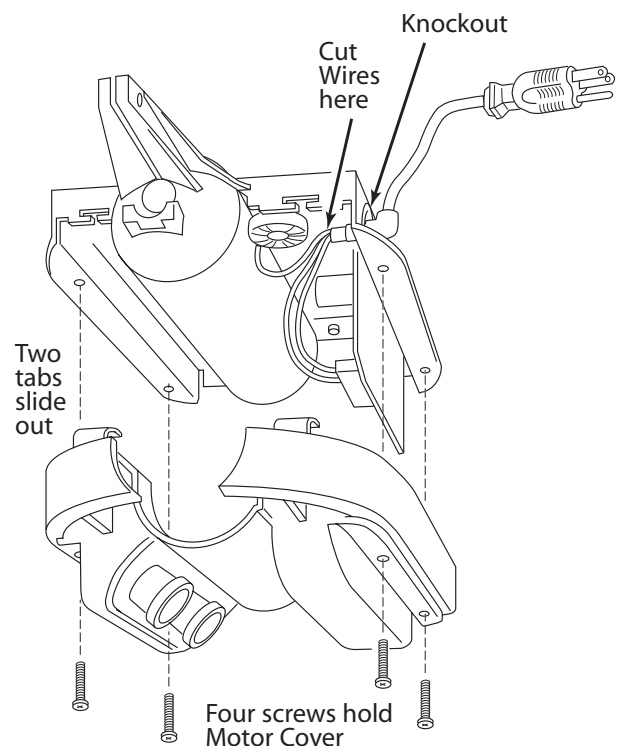


Figure 33 Connecting power with permanent wiring

## Installation Step 9: SET LIMIT SWITCHES AND FORCE CONTROLS

### Setting of Limit Switches

#### A Setting Close Limit Switch (Figure 34):

- Check that Magnetic Carriage Assembly is disengaged.
- With garage door fully closed, slide Close Limit Switch until it is aligned with Carriage Assembly Magnet.
- Tighten Set Screw. **Do Not** over-tighten.

#### B Setting Open Limit Switch:

- Manually open garage door to full open position.
- Slide Open Limit Switch until it is aligned with Carriage Assembly Magnet.
- Tighten Set Screw. **Do not** over-tighten.
- Re-engage Magnetic Carriage Assembly.

### Setting Force Controls and Final Adjustment of Limit Switches

## ! WARNING

- The garage door opens rapidly, and can cause serious injury or death.
- Keep the path clear.
- Position the ladder to the side of the Power Head so it is clear of all moving parts of the Opener and the door.
- Set the door Opener to use the minimum force needed to open the door.

#### A Pre-set Force Controls to midpoint between fully counter clockwise and fully clockwise (Figure 35).

#### B Adjust the Close Limit Switch:

- Press Wall Console to close garage door.
  - If door does not close completely, measure distance from bottom of door to floor. Move Limit Switch same amount toward door and try again.
  - If door reverses after contacting floor, move Limit Switch toward Power Head and try again.
  - If door reverses before contacting floor, increase Close force and try again.
  - If door fails to move, check Safe-T-Beam® System. See Safe-T-Beam® Troubleshooting Guide on pg. 26, and Opener System Self-diagnostic Troubleshooting on pg. 27.

- Tighten Limit Switch Set Screw. **Do not over-tighten (strip) Limit Switch Set Screw.**

#### C Adjust Open Limit Switch:

- Press Wall Console to open garage door.
  - If door does not open completely, move Limit Switch toward Power Head.
  - If door opens completely, but motor continues to run, move Limit Switch toward door.
- Tighten Limit Switch Set Screw. **Do not over-tighten (strip) Limit Switch Set Screw.**

## NOTE

- Little effort is required to turn the Force Adjusting Knobs.
- If the door stops moving while opening or closing, adjust the Open Force or Close Force Controls **slightly** clockwise (to **slightly** increase the force) and retry the step.
- The Open Force and Close Force Controls are to be set to the **minimum** force necessary to ensure the door smoothly opens fully and closes completely.
- The garage door will move slowly the first time it runs, until the Opener “learns” the type of door.
- Ensure the Magnetic Carriage Assembly is engaged and is between the two Limit Switches before operating the Opener.

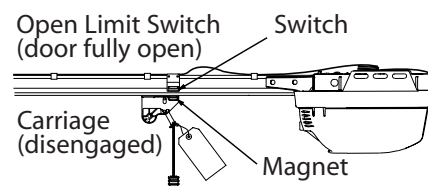
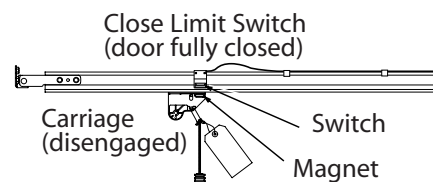


Figure 34 Setting Limit Switches

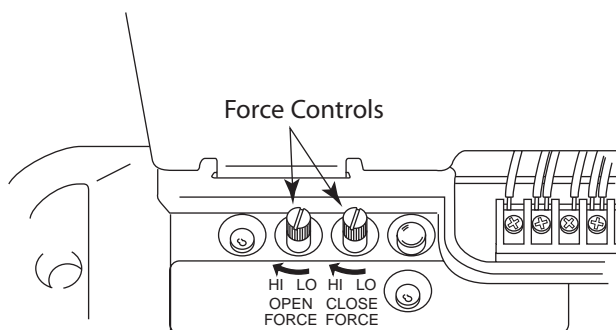


Figure 35 Making Force Adjustments

## NOTE

- To protect your new investment, your Excelerator® is equipped with a Timer and Cycle Counter which work together to prevent any chance of heat damage to electrical circuits caused by too many cycles in too short a time. If your Opener suddenly stops responding to the Wall Console - **Do Not Unplug the Unit** - simply wait **10 minutes** for the Timer/Cycle Counter to reset itself and try again.
- Unplugging the unit will prevent the Timer/Cycle Counter from resetting.

### D Test Door Opener:

- Run door up and down a few times using Wall Console and observe door travel.
- Repeat steps above as needed to set Limit Switch positions.

### E Adjust Open Force to minimum needed:

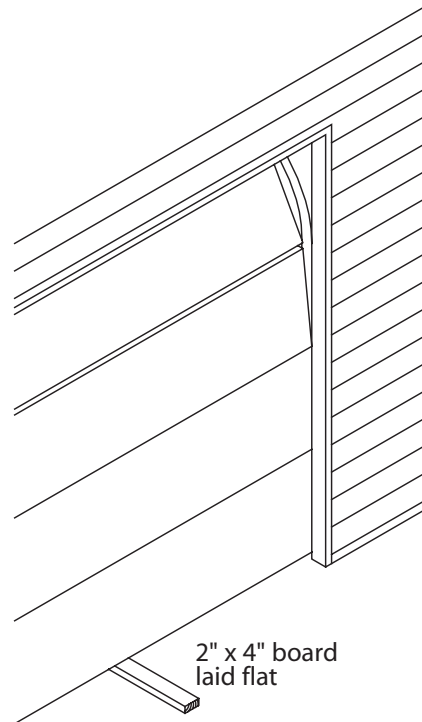
- Place door in closed position using Wall Console.
- Gently adjust Open Force fully counterclockwise (minimum force).
- Run Opener using Wall Console.
- Observe that door runs to Open Limit Switch.
  - If not, adjust Open Force Control slightly clockwise, close garage door, and open it again.
- Repeat steps above until garage door runs smoothly from Close Limit Switch to Open Limit Switch.

### F Adjust Close Force to minimum needed:

- Place door in open position using Wall Console.
- Gently adjust Close Force fully counterclockwise (minimum force).
- Run Opener using Wall Console.
- Observe that door runs to Close Limit Switch.
  - If not, adjust Close Force Control slightly clockwise, open garage door, and close it again.
- Repeat steps above until garage door runs smoothly from Open Limit Switch to Close Limit Switch.

## NOTE

The door must contact the 2" x 4" board before the Carriage activates the Close Limit Switch. If not, readjust the Close Limit Switch.



**Figure 36** Checking Contact Reverse

## Installation Step 10: SETTING CONTACT REVERSE FUNCTION

## NOTE

Limit Switch and Force Adjustments must be completed before checking the contact reverse function (**Figure 36**).

- A** Open garage door using Wall Console.
- B** Lay a 2" x 4" board flat in center of doorway.
- C** Close door using Wall Console.
- D** Check that door stops and reverses within 2 seconds after it contacts board:
  - If door does not reverse, decrease Close Force until door reverses.
  - If door still does not reverse, move Limit Switch toward door.
- E** Check Safe-T-Beam® System operation:
  - If beam is blocked, door will not close.

## ACCESSORIES

### Installation Step 11: PROGRAMMING THE REMOTE CONTROL

- A** To program one Button of a Remote Control (**Figure 37**):
- Locate Learn Button and Learn Indicator Light near Terminal Block on Power Head (**Figure 38**).
  - Press and release Learn Button. Red Learn Indicator Light will blink 2 times per second.
  - Press Remote Control Button once within 30 seconds. Red Learn Indicator Light will stay lit.
  - Press Remote Control Button again. Red Learn Indicator Light will go out, indicating that memory is stored.
- B** Program each additional Remote using step **A** above.

#### To Erase All Remotes from Power Head Memory

- A** Press and hold Learn Button on Power Head for 10 seconds or until Learn Indicator Light goes out. Memory is erased:
- Program Remotes again as needed.

#### To Replace Remote Control Battery

- A** Push in on Battery Cover Latch at base of Remote Control (Figure 39):
- Use coin, pen, screwdriver or any similar device.
    - Cover snaps open.
  - Replace old Battery with new **EVEREADY®** A23, 12 Volt Battery.
- B** Snap Battery Cover closed.

**⚠ WARNING**

A moving garage door may cause serious injury or death.

- Keep people clear of opening while door is moving.
- Do not allow children to play with the Remote Controls.

If the Safety Reverse does not work properly:

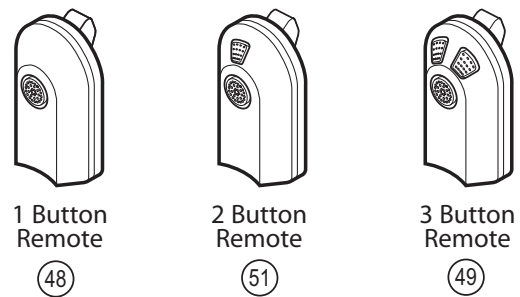
- Close the door and disconnect the Opener using the Emergency Release Cord.
- Do not use the door Opener, Remote Controls, or Wireless Keypad.
- Refer to the door and door Opener Owner's Manuals before attempting any repairs.

#### Remote Control Operation

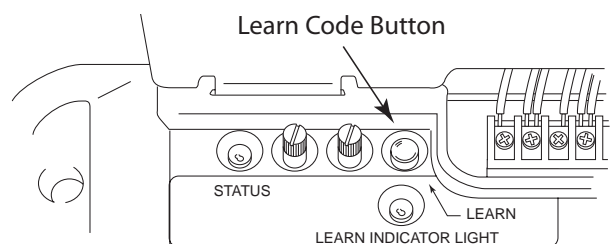
- A** Press Button on Remote Control. Garage door will move.
- B** Press Button again. Garage door will stop:
- The door automatically stops at the end of the open or close cycle.
- C** Press Button again. Garage door will reverse.

## NOTE

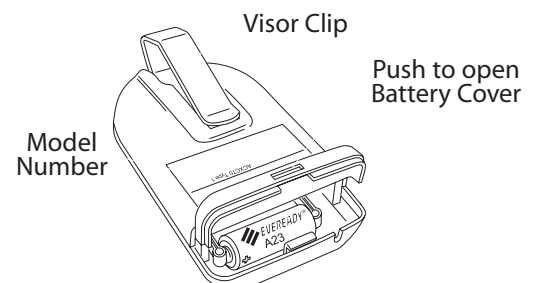
- Each Remote Control must be programmed separately.
- The Remote Controls will not cause the door Opener to close the garage door if the Safe-T-Beam® System is malfunctioning.
- When programming the Remote Controls, they must be at least 24" from the Antenna Wire.
- If the red Learn Indicator Light blinks approximately 4 times per second, programming has stopped. If programming has stopped, repeat the above steps.
- Each Button on a 2 or 3 Button Remote Control is for a different Opener. You cannot use more than one Button per Remote, per Opener.
- A maximum of seven Remote Controls or Wireless Keypads can be stored into the Receiver at one time. If a Remote Control becomes lost, or if you want to delete a Remote Control or Wireless Keypad, see "To Erase All Receiver Memory."



**Figure 37** Genie Remote Controls



**Figure 38** Learn Code Button and Indicator Light



**Figure 39** Remote Control Battery Replacement

## Installation Step 12: OPERATING WIRELESS KEYPAD

### **⚠ WARNING**

#### **A Moving door can cause serious injury or death.**

- 1 Keep people clear of opening while door is moving.
- 2 **Do Not** allow children to play with Wireless Keypad.
- 3 During programming, the door opener could begin to run, so stay away from the moving door and its parts. To keep the door from moving, close the door and disconnect it from the Opener by pulling the Emergency Release.

#### **If Safety Reverse does not work properly**






- 1 Close door and disconnect the Opener using Emergency Release Cord.
- 2 **Do not** use door Opener, Remote Controls, or Wireless Keypad.
- 3 Refer to Door and Door Opener Owner's Manuals before attempting any repairs.

### **NOTE**



**FOR CONVENIENCE** — Program Keypad BEFORE mounting.

#### **Programming for 1 Door Opener**


##### **A** Set Wireless Keypad PIN (Personal ID Number):

- Activate programming mode.
  - Press (in order)    .
  - Red LED blinks - once per second.
- Enter your PIN (3 to 8 characters).
- Press .
  - Red LED blinks - twice per second and turns off.

##### **B** Programming One Door Operator:

- Find the Learn Code Button and Learn Code Indicator LED on your door opener.
  - If your door opener has a *black antenna wire*, the Learn Code Button and Indicator LED are located near the antenna. (The light lens may need to be opened)
  - If your door opener *does not* have an antenna, you have an external receiver. The external receiver cover must be removed to access the Learn Code Button and Indicator LED.
- Press the Learn Code Button.
  - Learn Code Indicator LED (on Opener) will blink.
- Enter your PIN and press .
  - Learn Code Indicator LED stays on.
- Press  again.
  - Learn Code Indicator LED turns off.

##### **C** Operating One Door Operator:

- To move the garage door:
  - Enter your PIN.
  - Press .








### **NOTE**

- If the door does not move, check the red LED on Keypad. If the LED is blinking rapidly, the PIN was entered incorrectly. After the LED stops blinking, re-enter your PIN and try again.
- Any keypad button will control the door for 30 seconds after the door starts moving.
- Rapid Blinking of the red LED indicates an error. After a few seconds the LED will turn off. Start over.






#### **Proceed to "Mounting Wireless Keypad."**

#### **Programming for 2 or 3 Door Openers**






##### **A** Set Wireless Keypad PIN (Personal ID Number):

- Activate programming mode.
  - Press (in order)    .
  - Red LED blinks - once per second.
- Enter your PIN (3 to 8 characters).
- Press .
  - Red LED blinks - twice per second and turns off.

##### **B** Programming the Keypad for Multiple Door openers: **All door openers will use the same PIN.**

- Enter your PIN and press .
  - Red LED blinks - once per second.
- Press  again.
  - Red LED blinks - twice per second.
- Press the number of doors (total) you wish to control (  or  ).
- Press .
  - Red LED blinks several times and turns off.

##### **C** Programming Door Openers:

- Decide which door will be door #1, #2 and #3.
- Press the Learn Code Button (see **Figure 1**).
  - Learn Code Indicator LED (on Opener) blinks.
- Enter your PIN and press .
  - Learn Code Indicator LED stays on.
- Press the number you have picked for this door Opener (  or  or  ).
  - Learn Code Indicator LED stays on.
- Press .
  - Learn Code Indicator LED turns off.

- B** Repeat step A above for each door opener. Each door opener must be programmed to receive the signal from the Wireless Keypad.

*(continued on next page)*

## Programming for 2 or 3 Door Openers (Continued)

- A** Operating 2 or 3 Door Openers:
- To move one of the doors.
  - Enter your PIN.
  - Press .
  - Press door opener number (  or  or  ).

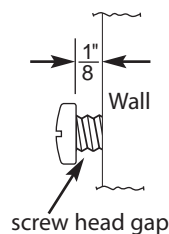
SEE NOTE AT TOP OF PREVIOUS COLUMN

## MOUNTING INSTRUCTIONS

The Keypad must be mounted in sight of the door(s), at least 5 feet above the ground and clear of any moving door parts.

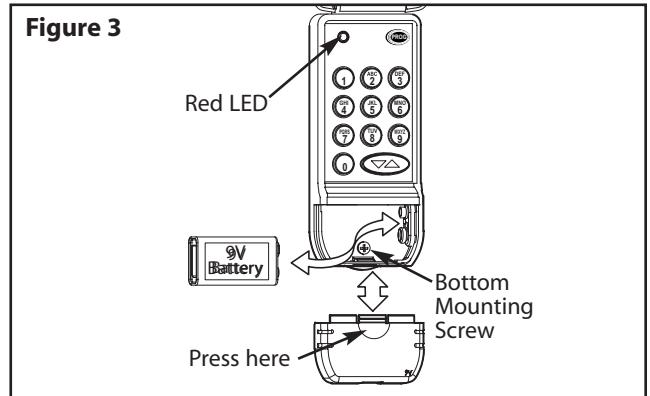
- A** Mount Keypad. (Mounting screws located inside battery compartment.)
- Remove Battery Cover. See **Figure 3**.
  - Drill a 1/16" pilot hole for the top mounting screw.
  - Install a screw into the drilled hole, leaving a 1/8" gap between the screw head and the wall. See **Figure 2**.
  - Hook the Keypad over the screw.
  - Mark, drill pilot hole and fasten bottom screw.
  - Reinstall Battery Cover.

**Figure 2**



## BATTERY CHANGES.

If the red LED does NOT blink during use, the battery needs to be changed.



## USING A TEMPORARY PIN.

A temporary PIN allows temporary access to your home by repair persons, meter readers, etc.




- A** Enter your PIN
- Press   .
- B** Enter the Temporary PIN (from 3 to 8 characters).
- Press .

## NOTE

- DO NOT reprogram the Door Opener(s).
- Temporary PIN remains active until the next time your normal PIN is entered.

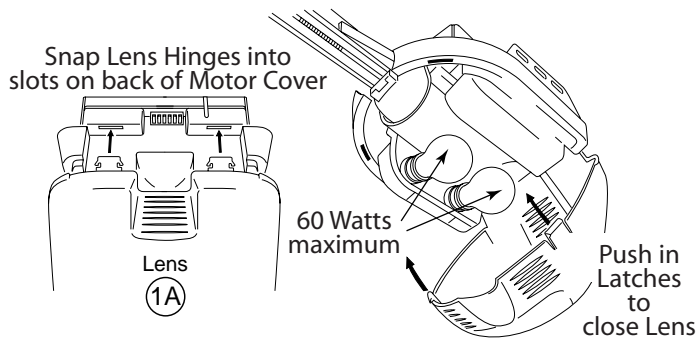
## BASIC ADDITIONAL INSTRUCTIONS

### FORGOT YOUR PIN OR CHANGING YOUR PIN.

- A** Erase old PIN :
- Press and hold in order   .
  - Red LED will blink once and turn off.
  - Release all buttons.
- B** Programming Door Opener(s).
- Return to "Programming for 1 Door Opener" or "Programming for 2 or 3 Door Openers."



## Installation Step 13: INSTALL LIGHT BULBS AND LENS



**Figure 41** Install Lens Cover and Light Bulbs

- A** Install two 60 Watt light bulbs (not included) into Light Sockets (**Figure 41**):
  - Rough service, 130 Volt bulbs are recommended.
- B** Install Lens into slots in Motor Cover.
- C** Install Genie Emergency Release Kit (**GER-2**) accessory, if purchased.
- D** Installation is now complete.

### Transmitter Compliance Statement

Transmitters comply with all United States and Canadian legal requirements as of the date of manufacture. No warranty is made that they comply with all legal requirements of any other jurisdiction. If transmitters are to be used in another country, the importer must determine compliance with any local laws and regulations which may differ from United States and Canadian requirements prior to use.

Los transmisores cumplen con todas las reglamentaciones legales de los Estados Unidos y del Canadá, en la fecha de fabricación. Ninguna garantía se da que cumplan con todas las reglamentaciones legales de ninguna otra jurisdicción. Si los transmisores se van a utilizar en otro país, el importador debe determinar si cumplen con las reglamentaciones y leyes locales que puedan ser diferentes a las reglamentaciones de los Estados Unidos y del Canadá, antes de usar los mismos.

Les émetteurs sont conformes à la réglementation américaine et canadienne à compter de leur date de fabrication. Aucune garantie n'est stipulée indiquant qu'ils sont conformes à toutes les prescriptions juridiques d'autres autorités. Si les émetteurs sont utilisés dans d'autres pays, il incombe à l'importateur d'en déterminer leur conformité aux lois et règles locales pouvant différer de celles des États-Unis et du Canada avant toute utilisation desdits émetteurs.

Sendegeräte entsprechen allen gesetzlichen Bestimmungen in den USA und Kanada zum Zeitpunkt der Herstellung. Wir übernehmen keine Gewährleistung für die Einhaltung aller gesetzlichen Bestimmungen in anderen Ländern. Sollen Sendegeräte in anderen Ländern eingesetzt werden, so muss der Importeur vor dem Gebrauch sicherstellen, dass die Sendegeräte auch solchen lokalen Bestimmungen entsprechen, welche von den Bestimmungen der USA und Kanadas abweichen.

截止于制造日期,传动装置符合美国和加拿大的所有法律要求。不提供传动装置符合任何其他司法地区所有法律要求之担保。如果传动装置要在任何其他国家使用,进口商必须在使用前确定装置符合与美国和加拿大要求不同之所有地方法规条例。

トランスミッターは、製造日付けのアメリカ合衆国及びカナダの法的条件に準拠します。しかしながら、トランスミッターがアメリカ合衆国及びカナダ以外の国の法的条件に準拠するか否かは一切保証できません。トランスミッターがアメリカ合衆国及びカナダ以外の国で使用される場合、同製品の使用に先立つ法規制がこれらの国々と異なることがあるため、輸入者は同製品が輸入国の法規制に準拠することを確認しなければなりません。

트랜스미터들은 미국과 캐나다 전역에서 제조 날짜를 명기해야 하는 요구사항에 따라야 합니다. 기타 다른 관할권의 모든 법적인 요구 사항에 따라야 하는 책임은 없습니다. 만일 트랜스미터들이 기타 다른 지역에서 사용될 경우 수입업자는 사용하기에 앞서 미국과 캐나다와의 요구사항과는 다를지도 모르는 그 지역의 법과 조례에 따라야 할지의 여부를 결정해야 합니다.

## MAINTENANCE

- A** Monthly:
  - Door springs and door hardware:
    - Oil door roller, bearings, and hinges using silicone lubricant or light oil.

### WARNING

Do not operate door automatically or manually if springs are broken. Contact a Genie Factory Authorized Dealer for service or call Customer Service at **1-800-35-GENIE**.

- Balance Door.
  - Close door.
  - Release Magnetic Carriage Assembly from Rail Assembly by pulling down on Emergency Release Knob.
  - Raise door manually 3' - 4' and verify that door stays at that position. See Check Step 2 on page 3.

### NOTE

When the door is 3' - 4' above the ground, the door should stay open. Slight movement is acceptable. If the door moves too much, contact a Genie Factory Authorized Dealer for service or call Customer Service at **1-800-35-GENIE**.

- Reattach Magnetic Carriage Assembly to Rail Assembly:
  - a. Pull the Emergency Release Knob toward Power Head.
  - b. Close door.
- Contact Reverse Test.
  - Perform Installation Step 10 on page 21.

### WARNING

If the door fails to reverse on contact with the board, adjust the Close Force Control as specified in Set Limit Switches and Force Controls on page 20. If the Opener still fails, contact a Genie Factory Authorized Dealer for service or call Customer Service at **1-800-35-GENIE**.

- B** Yearly:

- Wipe off old excess lubricant from Drive Screw.
- Lubricate Drive Screw with Genie Lubricant (GLU-3)

### NOTE

Use **ONLY** Genie Lubricant (**GLU-3**). Other lubricants may damage the Opener.

GLU-3  
Lubricant



## FCC AND IC CERTIFIED

All devices comply with Part 15 of the FCC Rules. Operation is subject to the following two conditions: (1) this device may not cause harmful interference, and (2) this device must accept any interference received, including interference that may cause undesired operation.

# IMPORTANT SAFETY INSTRUCTIONS



## WARNING TO REDUCE THE RISK OF SEVERE INJURY OR DEATH

- 1 READ AND FOLLOW ALL INSTRUCTIONS.
- 2 Never let children operate or play with the Door Controls. Keep the Remote Control away from children.
- 3 Always keep the moving door in sight and away from people and objects until the door is completely closed. NO ONE SHOULD CROSS THE PATH OF THE MOVING DOOR.
- 4 NEVER GO UNDER A STOPPED, PARTIALLY OPEN DOOR.
- 5 Test Opener monthly. The door MUST reverse on contact with a 1-1/2" high object (or a 2" x 4" board laid flat) at the center of the doorway on the floor. After adjusting either the Force or the Limit of travel, retest the Door Opener. Failure to adjust the Opener properly may cause severe injury or death.
- 6 When possible use the Emergency Release only when the door is closed. Use caution when using this Release with the door open. Weak or broken springs are capable of increasing the rate of door closure and increasing the risk of severe injury or death.
- 7 KEEP GARAGE DOORS PROPERLY BALANCED. See Owner's Manual. An improperly balanced door increases the risk of severe injury or death. Have a Genie Factory Authorized Dealer make repairs to cables, spring assemblies, and other hardware.
- 8 **SAVE THESE INSTRUCTIONS.**



## WARNING

Use the Wall Console included with Opener. Any other wall console can cause the Opener to operate unexpectedly and the light to stop working.

## TROUBLESHOOTING GUIDE

### Safe-T-Beam® System Self-Diagnostic Troubleshooting

Source (Red LED)	Sensor (Green LED)	Possible Problem	Solution
ON	ON	Normal operation	None required
OFF	OFF	<ul style="list-style-type: none"> <li>• Power Head not powered</li> <li>• Wiring from Power Head bad</li> </ul>	<ul style="list-style-type: none"> <li>• Check breakers, fuses, plugs</li> <li>• Check wiring for obvious shorts</li> </ul>
OFF	ON	<ul style="list-style-type: none"> <li>• Wiring to Source missing or bad</li> <li>• Power has been interrupted</li> </ul>	<ul style="list-style-type: none"> <li>• Check wiring</li> <li>• Remove power and reapply</li> </ul>
<b>2 BLINKS</b> , Pause (Repeat)	ON	<ul style="list-style-type: none"> <li>• Beam not aligned</li> <li>• Beam obstructed</li> <li>• Sensor defective</li> </ul>	<ul style="list-style-type: none"> <li>• Check Source, Sensor alignment</li> <li>• Check for obstruction</li> <li>• Contact Customer Service</li> </ul>
<b>2 BLINKS</b> , Pause (Repeat)	OFF	<ul style="list-style-type: none"> <li>• Wire to Sensor missing or bad</li> <li>• Sensor defective</li> </ul>	<ul style="list-style-type: none"> <li>• Check wiring</li> <li>• Contact Customer Service</li> </ul>
<b>3 BLINKS</b> , Pause (Repeat)	ON	<ul style="list-style-type: none"> <li>• Sensor receiving interference</li> </ul>	<ul style="list-style-type: none"> <li>• Determine source of interference</li> <li>• Contact Customer Service</li> </ul>
<b>4 BLINKS</b> , Pause (Repeat)	ON	<ul style="list-style-type: none"> <li>• Source not sending pulses</li> <li>• Source defective</li> </ul>	<ul style="list-style-type: none"> <li>• Contact Customer Service</li> <li>• Contact Customer Service</li> </ul>

## Opener System Self-Diagnostic Troubleshooting

- See Status Light on Figure 38, page 22)

You See	Problem	What to Do	Reference
<b>1 BLINK,</b> Pause (Repeat)	Motor Drive Board Interrupt	<ul style="list-style-type: none"> <li>• Reset Opener—unplug (or disconnect power), wait 5 seconds, plug back in (reapply power), and activate from Wall Console.</li> </ul>	
	Normal operation restored	<ul style="list-style-type: none"> <li>• First Cycle will run at slow speed.</li> </ul>	
	If the problem recurs	<ul style="list-style-type: none"> <li>• Check door condition. <b>NOTE: This Opener is equipped with an automatic garage door balance detection system. An improperly balanced door, damaged or worn counter-balance spring, binding door hardware or rollers may result in a “ONE-BLINK” signal.</b></li> <li>• Contact Customer Service for further assistance.</li> </ul>	See Door Safety Guide
	Operation not restored	<ul style="list-style-type: none"> <li>• Check door condition.</li> <li>• Have a Genie Factory Authorized Dealer check:                             <ul style="list-style-type: none"> <li>– Fuse on Motor Drive Board.</li> <li>– Ribbon Cable on Motor Drive Board is properly inserted into Connector on Controller Board.</li> </ul> </li> <li>• Contact Customer service for further service.</li> </ul>	1. See page 3. 2. See door Safety Guide
<b>2 BLINKS,</b> Pause (Repeat)	Controller Board Interrupt	<ul style="list-style-type: none"> <li>• Reset Opener — unplug (or disconnect power), wait 5 seconds, plug back in (reapply power), and activate from Wall Console.</li> <li>• Have a Genie Factory Authorized Dealer check that Ribbon Cable on Motor Board is properly inserted into connector on Controller Board.</li> <li>• Contact Customer Service for further assistance.</li> </ul>	
<b>3 BLINKS,</b> Pause (Repeat)	<b>Opener Overheated or Over-cycled</b>	<ul style="list-style-type: none"> <li>• <b>Do not unplug or disconnect power from Opener. Wait 10 minutes for internal clock to provide additional cycles. Cycles are restored at a rate of 5 cycles per 10 minutes of rest.</b></li> <li>• <b>Contact Customer Service for further assistance.</b></li> </ul>	
<b>4 BLINKS,</b> Pause (Repeat)	Force Settings Incorrect	<ul style="list-style-type: none"> <li>• Check Force Settings. NOTE: Force Settings are not pre-set at factory.</li> <li>• Check door condition.</li> <li>• Contact Customer service for further assistance.</li> </ul>	1. See page 20. 2. See Door Safety Guide
<b>5 BLINKS,</b> Pause	Safe-T-Beam® Malfunction	<ul style="list-style-type: none"> <li>• Check Safe-T-Beam® Self-diagnostic System. <b>NOTE: Safe-T-Beam® System must be installed and operational to enable door to close.</b></li> <li>• Contact Customer Service for further assistance.</li> </ul>	See page 16.
<b>6 BLINKS,</b> Pause (Repeat)	Wall Console does not work	<ul style="list-style-type: none"> <li>• Check Wall Console Wiring for shorts, tight Staples, or pinched Wires.</li> <li>• Check Wiring Connections at Power Head and Wall Console.</li> <li>• Contact Customer Service for further assistance.</li> </ul>	See page 18.
<b>7 BLINKS,</b> Pause (Repeat)	Limit Switches not working	<ul style="list-style-type: none"> <li>• Check Limit Switch Wire connections to Terminals on Power Head.</li> <li>• Check for shorted or pinched Wires under Limit Switch Brackets.</li> <li>• Contact Customer Service for further assistance.</li> </ul>	See page 20.
<b>8 BLINKS,</b> Pause (Repeat)	Wall Console locked	<ul style="list-style-type: none"> <li>• Vacation Locking Switch on Wall Control is in “Lock” mode. Unlock switch.</li> <li>• Contact Customer Service for further assistance.</li> </ul>	See page 18

### NOTE

- The status LED Indicator Light is located under the Lens Cover. The Green LED light will turn ON, then OFF when power is applied to the Opener. If LED stays ON, have a Genie Factory Authorized Dealer check the Controller Board, or call Customer Service at **1-800-35-GENIE**.
- If Safe-T-Beam® problems exist, the door can be closed electrically by holding the Wall Console Button down until door is fully closed.
- The Remote Controls and Wireless Keypad will not work without a working Safe-T-Beam® System.

## General Troubleshooting (Always Check the Status LED Light)

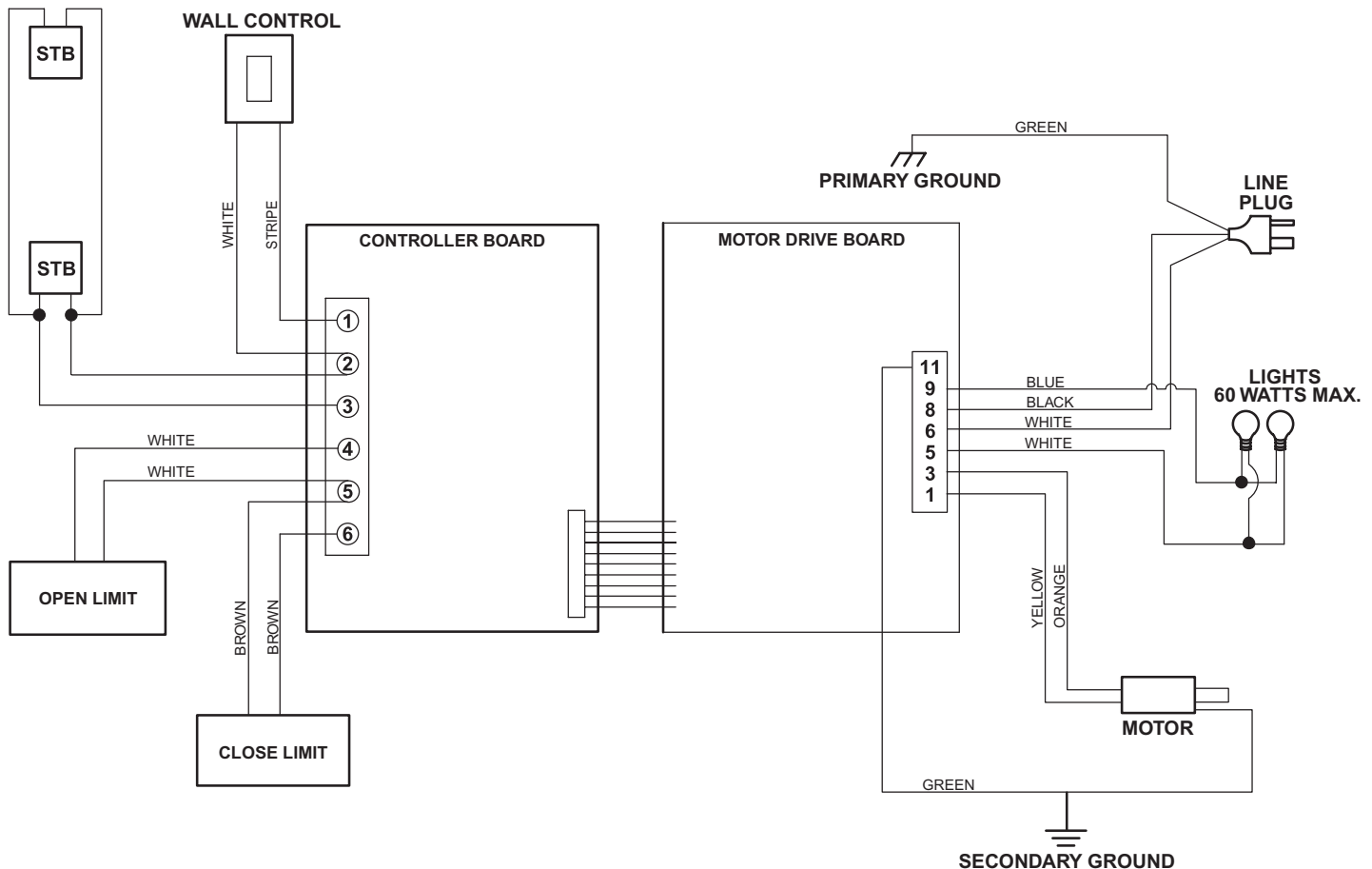
Problem	What To Do
Opener does not run from Remote Control	<ol style="list-style-type: none"> <li>1. Check power source.                             <ol style="list-style-type: none"> <li>A. If Opener is connected to an outlet:                                     <ul style="list-style-type: none"> <li>• Plug a working lamp into outlet used for Power Head.</li> <li>• If lamp glows, power source and outlet are OK.</li> <li>• If not, check fuse or circuit breaker or non-compatible GFCI.</li> </ul> </li> <li>B. If Opener is connected to a wiring box:                                     <ul style="list-style-type: none"> <li>• Check fuse is not blown, or circuit breaker is "Closed" (not tripped).</li> <li>• If still no power, have a licensed electrician check circuit and wiring.</li> </ul> </li> </ol> </li> <li>2. If power is OK:                             <ul style="list-style-type: none"> <li>• Check connections at Power Head Terminals (see Wall Console Installation page 18), tightening any loose connections.</li> </ul> </li> </ol> <p>Have a Genie Factory Authorized Dealer check that Ribbon Cable between Controller Board and Motor Drive Board is properly connected to Connectors on Circuit Boards, or call Customer Service at <b>1-800-35-GENIE</b>.</p>
Door Opener starts for no apparent reason	<ul style="list-style-type: none"> <li>• Check Wires to ensure that they are not cut (Staples can cut insulation and short Wires). Replace any shorting Staples and shorted Wires.</li> <li>• Was Remote Control lost or stolen? If so, erase all Remote Control codes from Receiver's memory and reprogram for remaining remote controls. (See Erase All Receiver Memory on page 22).</li> <li>• Ensure that no Buttons are stuck "pushed-in" on Wall Console or any Remote Controls.</li> </ul>
Door starts down, then stops before it is completely closed	<ul style="list-style-type: none"> <li>• Check Close Limit Switch setting (see Set Limit Switches and Force Controls on page 20). Adjust as needed.</li> <li>• Check for shorted Wires.</li> <li>• Check garage door for binding.</li> </ul>
Door starts down, then stops and goes back up	<ul style="list-style-type: none"> <li>• If a new installation, check Door Arm position.</li> <li>• Check operation of Contact Reverse function.</li> <li>• Check Safe-T-Beam® System for beam obstruction or misalignment of Lenses.</li> <li>• Check Safe-T-Beam® System diagnostic code.</li> <li>• Check Close Force adjustment (see Set Limit Switches and Force Controls on page 20). Adjust as needed.</li> <li>• Check garage door for binding.</li> </ul>
Door will only run closed	<ul style="list-style-type: none"> <li>• Check Open Limit Switch for a short circuit and for proper wiring.</li> <li>• Check Open Force adjustment (see Set Limit Switches and Force Controls on page 20). Adjust as needed.</li> <li>• Check condition of garage door and door spring(s).</li> <li>• <b>WARNING: If you suspect a problem with the garage door hardware or springs, contact a Genie Factory Authorized Dealer for service, or contact Customer Service at 1-800-35-GENIE.</b></li> </ul>
Door will only run open	<ul style="list-style-type: none"> <li>• Check Safe-T-Beam® System as detailed in the Safe-T-Beam® System Self-diagnostic Troubleshooting Chart (see Safe-T-Beam® System Self-diagnostic Troubleshooting Section on page 26).</li> <li>• Check Close Limit Switch for a short circuit and for proper wiring.</li> <li>• Check Close Force adjustment (see Set Limit Switches and Force Controls on page 20). Adjust as needed.</li> </ul>
Lights will not turn off	<ul style="list-style-type: none"> <li>• Disconnect Wires connecting Wall Console to Power Head (see Wall Console Installation on page 18). Check their condition and either replace or reconnect.</li> <li>• Until a replacement Wall Console can be obtained, disconnect Wall Console and use only Remote Controls or Wireless Keypad to operate Opener.</li> </ul>
Door starts up, but stops before it is completely open	<ul style="list-style-type: none"> <li>• Check (ensure) that garage door and Opener are in good repair, properly lubricated, and properly balanced as detailed in Maintenance Section.</li> <li>• <b>WARNING: If you suspect a problem with the garage door hardware or springs, contact a Genie Factory Authorized Dealer for service, or contact Customer Service at 1-800-35-GENIE.</b></li> <li>• Check Open Limit Switch for a short circuit and for proper wiring.</li> <li>• Check Open Force adjustment (see Set Limit Switches and Force Controls on page 20). Adjust as needed.</li> </ul>
Operator runs, but door does not move	<ul style="list-style-type: none"> <li>• Ensure Magnetic Carriage Assembly is engaged to Rail Drive Screw (see Install Magnetic Carriage Assembly onto Rails on page 10).</li> <li>• Check Force adjustment (see Set Limit Switches and Force Controls on page 20). Adjust as needed.</li> <li>• Check that all sections of Rail Drive Screw are turning when Motor runs. If not:                             <ul style="list-style-type: none"> <li>– Check condition (not cracked, split, or broken) and placement of Coupler. Replace as needed.</li> <li>– Check condition (not cracked, split, or broken) and placement of Collar and Clip. Replace them as needed.</li> </ul> </li> </ul>
Wall Console Vacation Lock function does not work	<ul style="list-style-type: none"> <li>• Ensure Magnetic Carriage Assembly is in contact with Close Limit Switch.</li> <li>• Check when door is fully closed, that Carriage activates Close Limit Switch. If not, adjust position of Close Limit Switch (See page 19).</li> </ul>

## General Troubleshooting (Always Check the Status LED Light)(Continued)

Problem	What To Do
Remote Control has less than 25' operating range	<ul style="list-style-type: none"> <li>Relocate Remote Control inside car.</li> <li>Ensure Remote Control is pointing toward garage door when pressing Control Button.</li> <li>Replace Remote Control Battery <b>EVEREADY</b> type "A23." (See page 22).</li> <li>Reposition Opener Antenna Wire.</li> <li><b>Do Not</b> attempt to retune Remote Controls or Receiver.</li> </ul>
Opener works from Wall Control, but not from Remote Control	<ul style="list-style-type: none"> <li>Program code for each Remote Control into Receiver memory (See Programming the Remote Control on page 22).</li> <li>Replace Remote Control Battery <b>EVEREADY</b> type "A23." (See page 22).</li> <li>Check Safe-T-Beam® System for beam obstruction or misalignment of Lenses.</li> <li>Check Safe-T-Beam® System for any diagnostic codes. If present, troubleshoot as detailed in Safe-T-Beam® System Self-Diagnostic Troubleshooting Chart (See page 26).</li> </ul>
Noisy operation	<ul style="list-style-type: none"> <li>Ensure all fasteners are tightened.</li> <li>Check that the garage door and Opener are in good repair, properly lubricated, and properly balanced. (See Maintenance page 25).</li> <li><b>WARNING: If you suspect a problem with garage door hardware or springs, contact a Genie Factory Authorized Dealer for service, or contact Customer Service at 1-800-35-GENIE.</b></li> </ul>
Safe-T-Beam® System	<ul style="list-style-type: none"> <li>If an operational problem exists, Opener will not run closed.</li> <li>Check Safe-T-Beam® System for beam obstruction or misalignment of Lenses.</li> <li>Check Safe-T-Beam® System for any diagnostic codes. If present, troubleshoot as detailed in Safe-T-Beam® System Self-Diagnostic Troubleshooting Chart (See page 26).</li> </ul>
Door closes, and Opener shuts down	<ul style="list-style-type: none"> <li>Check position of Wall Console Vacation Lock Switch. It must be in UNLOCKED position for Opener to open door.</li> </ul>

## WIRING DIAGRAM

**WARNING** Opening Cover May Cause Electric Shock



# THE GENIE COMPANY LIMITED WARRANTY

## What is Covered

Any defect in material and workmanship from personal, normal household use in accordance with the Owner's Manual.

## For How Long:

H8000D Series — **Lifetime\*** on motor, on parts and service.

ISD990 Series — **Lifetime\*** on motor, **5 years\*** on parts.

ISD990-2 Series — **Lifetime\*** on motor and all parts.

ISD995 Series — **Lifetime\*** on motor and all parts.

ISD995-2WKM Series — **Lifetime\*** on motor and all parts.

ISD1000 Series — **Lifetime\*** on motor, all parts and service.

CMD9900 Series — **Lifetime\*** on motor, **5 years\*** on parts.

PRO99 Series — **Lifetime\*** on motor and all parts.

\* for as long as you own your home. This warranty is non-transferable.

## Who Gets the Warranty?

This warranty applies only to the consumer who originally purchased the product.

## Geographic Scope:

This warranty applies only to Genie products purchased in the United States and Canada.

## What We Will Do:

If your Genie product is defective, we will send replacement parts or, at our option, a replacement unit at no charge to you, excluding shipping, handling and labor costs. If we send replacement parts for your Genie product, we may use new or reconditioned parts. If we choose to send a replacement unit, we may use a new or reconditioned one of the same or similar design.

## Limitations:

IMPLIED WARRANTIES, INCLUDING THOSE OF FITNESS FOR A PARTICULAR PURPOSE AND MERCHANTABILITY (AN UNWRITTEN WARRANTY THAT THE PRODUCT IS FIT FOR ORDINARY USE) ARE LIMITED TO ONE YEAR FROM DATE OF PURCHASE. GENIE WILL NOT PAY FOR: LOSS OF USE OF YOUR GENIE PRODUCT OR PROPERTY DAMAGE CAUSED BY YOUR GENIE PRODUCT OR ITS FAILURE TO WORK; ANY SPECIAL INCIDENTAL OR CONSEQUENTIAL DAMAGES; ANY DAMAGES RESULTING FROM MISUSE OR MODIFICATION OF YOUR GENIE PRODUCT.

Some states and provinces do not allow limitations on how long an implied warranty lasts or the exclusion of incidental or consequential damages, so the above exclusions and limitations may not apply.

**This warranty is the only one we will give on your Genie product, and it sets forth all our responsibilities regarding your Genie product.**

**There are no other expressed warranties.**

**State and Province Rights:** This warranty gives you specific legal rights, and you may also have other rights that vary from state to state and province to province.

## How to Get Warranty Service:

To get warranty service for your Genie product, you must provide proof of date, and place of purchase of the product.

### 1. Do-It-Yourself Service:

Call Genie Customer Service toll free at 1-800-354-3643, or visit our website at [www.geniecompany.com](http://www.geniecompany.com). Trained Genie representatives will assist in diagnosing the problem and will arrange to supply you with the required parts for do-it-yourself repairs. Trained service representatives are available Monday - Friday, 8:00 AM - 11:00 PM, and on Saturday, 11:00 AM - 8:00 PM Eastern Time (subject to holidays).

### 2. Service From Authorized Dealers:

You can obtain the name of a Genie Factory Authorized Dealer by calling the Genie Dealer Locator Service at 1-800-654-3643. If an Authorized dealer provides warranty service, Genie will not reimburse you or otherwise be responsible for any labor charges. Your choice of one of the above described service options is your remedy under this warranty.

## What This Warranty Does Not Cover:

- Batteries (which are considered replacement parts)
- Installation
- Commercial use
- Defects resulting from accidents
- Damage while in transit to our service location or damage from alterations
- Misuse or Abuse
- Lack of proper maintenance
- Unauthorized repairs or modifications of the product
- Affixing of any attachment not provided with the product
- Programming of Remote Control Devices
- Programming of Keypads
- Safe-T-Beam® adjustment/cleaning
- Staples through wiring
- Pinched or broken wires
- Carriage disengaged
- Force Control adjustments
- Door out of balance
- Broken springs or cables
- Power outages
- Use of extension cords
- Missing or damaged parts on discounted, clearanced, final sale or taped cartons
- Phantom operations
- Fire
- Flood
- Acts of God
- Failure to follow the Owner's Manual



## Garage Door Opener Accessories Accesorios para abridores de garajes Accessoires pour ouvre-porte de garage

**(GIT-1) Deluxe Remote Control with Intellicode®** - Allows remote operation of garage door  
Controlador remoto de lujo con Intellicode® - Proporcionar operación remoto de la puerta del garaje  
Télécommande de luxe avec Intellicode® - Permettre opération éloigné de porte de garage

**(GIT-2) 2-Button Remote Control with Intellicode®** - Allows remote operation of 2 garage doors  
Controlador remoto de 2 funciones con Intellicode® - Proporcionar operación remoto de dos las puertas del garaje  
Télécommande à 2 fonctions avec Intellicode® - Permettre opération éloigné deux portes de garage

**(GIT-3) 3-Button Remote Control with Intellicode®** - Allows remote operation of 3 garage doors  
Controlador remoto de 3 funciones con Intellicode® - Proporcionar operación remoto de tres las puertas del garaje  
Télécommande à 3 fonctions avec Intellicode® - Permettre opération éloigné trois portes de garage

**(GPWC-2WLB) Lighted Wall Console** - Operates Garage Door. Independent light control. Security vacation lock  
Consola de pared de 3 funciones - Acciona la puerta del garaje. Control de luz independiente. Cerradura de seguridad para vacaciones  
Console murale à trois fonctions - Actionne la porte de garage. Commande d'éclairage indépendante. Interrupteur de verrouillage de sécurité

**(GMI-3) 3-Button Mini Remote Control with Intellicode®** - Fits easily into pocket or purse  
Minicontrolador remoto de 3 funciones con Intellicode® - Cave fácilmente en el bolsillo o cartera  
Mini télécommande à 3 fonctions avec Intellicode® - se glisse dans la poche de veston ou le sac à main

**(GWKP) Wireless Keypad Entry System** - Operates Intellicode® Garage Door Openers without Remote Control or key  
Sistema de entrada por teclado numérico inalámbrico - Acciona los abridores de puertas de garaje Intellicode® sin control remoto o llave  
Système d'ouvre-porte de garage à clavier sans fil - Actionne les ouvre-porte de garage avec Intellicode® sans télécommande ni clé

**(GLU-3) 1/4 oz. Tubes Screw Drive Lubricant (3)** - Ensures proper equipment wear protection  
1/4 ounce Lubricante de tornillo accionar (3) - Asegura componente correcto protección por deterioro  
La onza 1/4 Lubricante de la vis (3) - Garantir component exact par système défense vers user

**(GWB) Universal Wall Button** - Provides additional convenient inside operation of door  
Botón de pared universal - Proporciona operación conveniente de la puerta desde el interior  
Bouton mural universel - Actionne l'ouvre-porte de l'intérieur du garage

**(GPS-5) Perfect Stop®** - Ensures perfect parking  
Stop Perfecto® - Asegura el estacionamiento perfecto  
Butoir Perfect Stop® - Permet de stationner à la perfection dans le garage

**(GSXL-8) Excelsator Screw Drive Extension Kit** - An eighteen inch Extension to increase the travel of a Screw Drive Opener to accommodate an eight foot door  
El extensión deslizante de Excelsator Screw Drive - Una extensión de 18 pulgadas para aumentar la carrera de un abridor deslizante de tornillo, para acomodar una puerta de 8 pies (2,43 m.)  
Nécessaire de rallonge du Excelsator Screw Drive - Rallonge de 30 dm (18 po) prolongeant la course de l'ouvre-porte Screw Drive pour une porte de 2,4 m (8 pi) de hauteur

**(GIRU-1T) Universal Conversion Kit** - Converts any Garage Door Opener to a secure radio signal system. Kit includes a Remote Control, Receiver and Transformer  
Juego de conversión universal - Convierte cualquier abridor de puerta de garaje a un sistema de señal de radio seguro. El juego incluye un control remoto de abridor de puerta de garaje, receptor y transformador  
Nécessaire de conversion universel - Transforme tout ouvre-porte de garage en système de sécurité à signal radio. Comprend une télécommande d'ouvre-porte de garage, un récepteur et un transformateur

**60 WATT Enhanced/Rough Service Light Bulb** - Ensures proper equipment compatibility  
Bombilla de 60 Vatios - Asegura componente correcto de sistema  
Éclairage de 60 WATT - Garantir component exact par système

**(GER-2) Emergency Release Kit** - Provides access to garage from outside in the event of an electrical power failure  
Juego de pica-porte de pestillo - Permitir entrada desde por fuera de garaje porque corte de eléctrico  
Nécessaires de Déclenchement de secours - Le nécessaire de déclenchement de secours est conçu pour vous permettre d'accéder à votre garage depuis l'extérieur en cas de panne de courant et lorsqu'il

**STB Adapter Brackets (2)** - Used in conjunction with standard STB Mounting Brackets. They provide additional clearance along with mounting options  
El adaptador pone entre paréntesis (2) - Usado en unión con paréntesis uniformes de montar de STB, ellos proporcionan el espacio libre adicional junto con montar las opciones  
Crochets d'adaptateur - Utilisé conjointement avec STB standard monter les crochets, ils fournissent le dégagement supplémentaire avec monter d'options

### Ordering Instructions

No C.O.D. shipments. Please include check or money order, made payable to The Genie Company. **Do not send cash.** Allow 3-4 weeks for delivery. We accept Visa or Mastercard on phone orders only. 1-800-354-3643. Please have part number and credit card ready.

Please add local sales tax if you reside in one of the states listed.

California	Indiana	Ohio
Connecticut	Maryland	Tennessee
Florida	Massachusetts	Virginia
Georgia	New Jersey	Wisconsin
Illinois	New York	Michigan

### Las Instrucciones que Ordenan

No se aceptan pedidos de pago contra entrega (COD). Sírvase incluir su cheque o giro postal, la cuenta pagadera hecha a The Genie Company. **No envíe dinero en efectivo.** Concédanos 3 a 4 semanas para la entrega. Aceptamos pedidos telefónicos de Visa o Mastercard. 1-800-354-3643. Sírvase tener listos los números del modelo y de la tarjeta de crédito.

Sírvase agregar el impuesto de ventas local si usted reside en uno de los siguientes estados:

California	Indiana	Ohio
Connecticut	Maryland	Tennessee
Florida	Massachusetts	Virginia
Georgia	New Jersey	Wisconsin
Illinois	New York	Michigan

### Instructions Commandant

Pas d'expédition contre remboursement. Veuillez inclure un chèque ou un mandat bancaire, le payable fait à The Genie Company. **N'envoyez pas d'argent comptant.** Accordez de 3 à 4 semaines pour la livraison. Nous acceptons les commandes par téléphone avec paiement par carte de crédit Visa ou Mastercard. 1-800-354-3643. Ayez sous la main le numéro de la pièce et celui de la carte de crédit.

Veuillez indiquer les taxes de vente locales si vous résidez dans l'un des états répertoriés ci-dessous.

Californie	Indiana	Ohio
Connecticut	Maryland	Tennessee
Floride	Massachusetts	Virginie
Georgie	New Jersey	Wisconsin
Illinois	New York	Michigan

TOTAL ORDER	\$
SHIPPING & HANDLING	\$ 5.00
STATE SALES TAX	\$
GRAND TOTAL	\$

TOTAL DEL PEDIDO	\$
FLETE Y MANEJO	\$ 5.00
IMPUESTO DE VENTAS ESTATAL	\$
GRAN TOTAL	\$

COMMANDE TOTALE	\$
MANUTENTION ET EXPÉDITION	\$ 5.00
TAXE DE VENTE	\$
TOTAL GLOBAL	\$

Prices on Reverse

Los Precios en otro lado

Les Prix sur l'autre côté

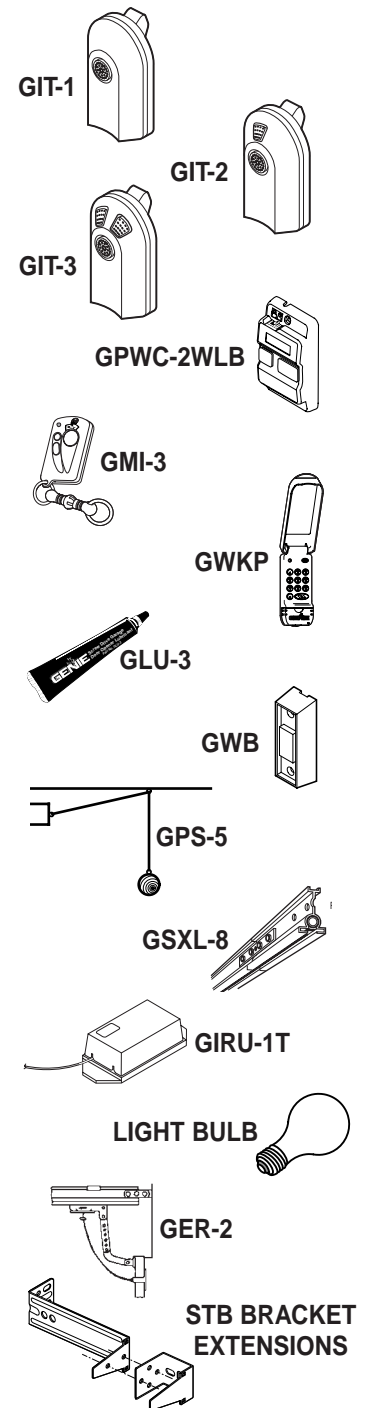
For Help, call 1-800-35-GENIE or visit [www.geniecompany.com](http://www.geniecompany.com)

TEAR ALONG DOTTED LINE / ARRANCAR EN LA LÍNEA DE PUNTOS / ARRACHER LA LIGNE EN POINTILLE



**Garage Door Opener Accessories Order Form**  
**Formulario de pedido de accesorios para abridores de puertas de garaje**  
**Formulaire de commande des accessoires pour ouvre-porte de garage**

MODEL MODELO MODÈLE	DESCRIPTION DESCRIPCIÓN DESCRIPTION	PRODUCT CODE CÓDIGO CODE DU PRODUIT	PRICE (US\$)* PRECIO* PRIX (\$ US)*	QTY. CANTIDAD QTÉ	TOTAL TOTAL TOTAL
GIT-1	Deluxe Remote Control with Intellicode® Controlador remoto de lujo con Intellicode® Télécommande de luxe avec Intellicode®	33069R	\$34.95		
GIT-2	2-Button Remote Control with Intellicode® Controlador remoto de 2 funciones con Intellicode® Télécommande à 2 fonctions avec Intellicode®	33069S	\$44.95		
GIT-3	3-Button Remote Control with Intellicode® Controlador remoto de 3 funciones con Intellicode® Télécommande à 3 fonctions avec Intellicode®	33069T	\$49.95		
GPWC-2WLB	Lighted Wall Console Consola de pared encender Console murale avec éclairage	34292R	\$13.95		
GMI-3	3-Button Mini Remote Control with Intellicode® Minicontrolador remoto de 3 funciones con Intellicode® Mini télécommande à 3 fonctions avec Intellicode®	34909R	\$39.95		
GWKP	Wireless Keypad Entry System Sistema de entrada por teclado numérico inalámbrico Système d'ouvre-porte de garage à clavier sans fil	35282R	\$49.95		
GLU-3	1/4 oz. Tube Screw Drive Lubricant (x 3) 1/4 once Lubricante de tornillo accionar (x 3) La onza 1/4 Lubrifiant de la vis (x 3)	34965R	\$1.95		
GWB	Universal Wall Button (unlit) Botón de pared universal (unlit) Bouton mural universel (unlit)	34960R	\$4.95		
GPS-5	Perfect Stop® Stop Perfecto® Butoir Perfect Stop®	34964R	\$4.95		
GSXL-8	Screw Drive Extension Kit (For Exceleator) El extensión de cadena deslizable (Para Exceleator) Nécessaire de prolongement du coulisseau (Pour Exceleator)	33523S	\$34.95		
GIRU-1T	Universal Conversion Kit Juego de conversión universal Nécessaire de conversion universel	33154R	\$49.95		
LIGHT BULB	60 Watt Enhanced/Rough Service Light Bulb Bombilla de 60 Vatios Éclairage de 60 Watt	26210A.S	\$2.95		
GER-2	Emergency Release Kit Juego de pica-porte de pestillo Nécessaires de d'clenchement de secours	34963R	\$29.95		
ADAPTER BRACKET	STB Adapter Brackets (2) El adaptador pone entre paréntesis (2) Crochets d'adaptateur (2)	34439R.S	\$4.95		



TEAR ALONG DOTTED LINE / ARRANCAR EN LA LÍNEA DE PUNTOS / ARRACHER LA LIGNE EN POINTILLE

\* Prices subject to change without notice  
 \* Valoran el cambio con sujeción a sin nota  
 \* Les prix assujettissent pour changer sans la notification

**SHIP ORDER TO:**  
**ENVIAR MERCANCIA CON:**  
**EXPÉDIER MARCHANDISE POUR:**

**MAIL ORDER FORM TO:**  
**ENVIAR HACER UN PEDIDO DE MERCANCIA A:**  
**METTRE À LA POSTE LE ARRANGEMENT À:**

NAME / NOMBRE / NOM			
ADDRESS / DIRECCIÓN / ADRESSE			
CITY / CIUDAD / VILLE	STATE / ESTADO / ÉTAT	ZIP / CÓDIGO POSTAL / CODE POSTAL	

**The Genie Company**  
 22790 Lake Park Blvd.  
 Alliance, Ohio 44601-3498